

EM1-S-0

EDGE Motor

ORDERING INFORMATION

Part Number: EM1-S-0
EDGE Standard Motor

Part Number: EM1-V-0
EDGE-Vacuum Rated Motor

RELATED PRODUCTS/ ACCESSORIES

Part Number: EAE00009
Nm Asic Blank

Part Number: ASIC-1E-00
ASIC Edge X 1 Driver Component
Open Loop

Part Number: ASIC-1E-BD-00
Asic Edge X 1
Driver Board Open Loop

Part Number: EDGE150001-01
ASIC-1e-00 Motherboard

Part Number: ASIC-E2-00
Asic Edge X 2 Dual Axis
Controller/Driver

Part Number: ASIC-E2-BD-00
ASIC Edge X 2 Dual Axis
Controller/Driver Board Closed Loop

Part Number: XCD-EDGE-BD-00
Xcd Edge Controller/Driver Board

Part Number: XCDE150100-00
XCD-EDGE-BD-00 Motherboard

Part Number: XCD-EVAL-EDGE
XCD Eval Kit W/Edge Stage

Part Number: EDGE-EVAL-LS-RE
EDGE Evaluation Kit
L/Slide & 0.1um Encoder

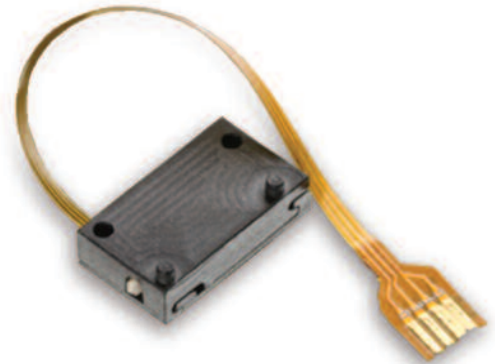
Part Number: EDGE-EVAL-LS-0E
EDGE Evaluation Kit L/Slide -
Open Loop

Part Number: EDGE-EVAL-RS-0E
EDGE Evaluation Kit Rotary Slide -
Open Loop

Application Recommendations

The EDGE motor is well suitable for a large range of applications, excelling in those where weight, form factor and power consumption are of prominence, such as:

- NUC Shutters
- Shutter & Aperture Control Components
- Filter Changer Components
- Auto Focus Modules
- Unattended Ground Sensor Modules
- Optical Image Stabilization Modules
- Mirrors Positioning

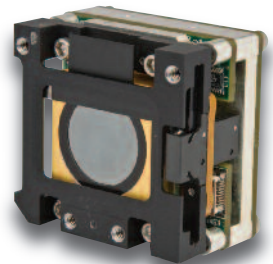


Product Description

Nanomotion's Edge motor is the smallest industrial motor of its kind available in the marketplace today. Providing unlimited linear or rotary motion, the Edge motor offers extensive opportunities in applications that suit a wide range of industries. The Edge motor works with a uniquely designed, compact ASIC-based driver, and can be operated with any servo controller. The Edge can be easily integrated into most bearing structures, and is ideal for mass production opportunities.

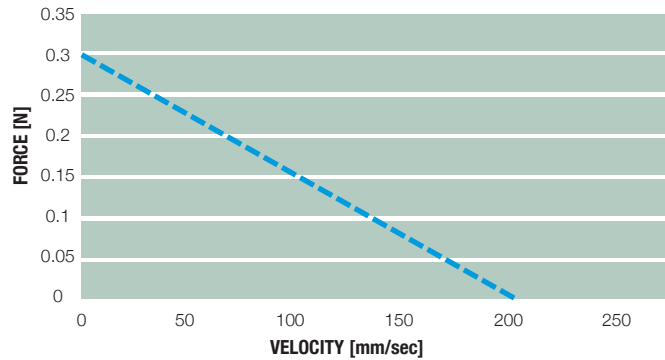
Edge Motor Key Features:

- Extremely small dimensions
- Excellent move and settle characteristics
- Mil-rated
- ASIC drive and control
- Wide dynamic velocity range
- High resolution
- Zero backlash
- Holds position at power off
- Silent operation
- Negligible EMI



Example of EDGE Motor/Shutter

VELOCITY/LOAD CHARACTERISTICS



TECHNICAL SPECIFICATIONS

Mechanical
 Weight/Mass: 0.55 gr
 Dimensions: 13.5 x 7.6 x 3.15 mm

DYNAMIC

Driving Force (max): 0.32N
 Velocity (max): 200 mm/sec

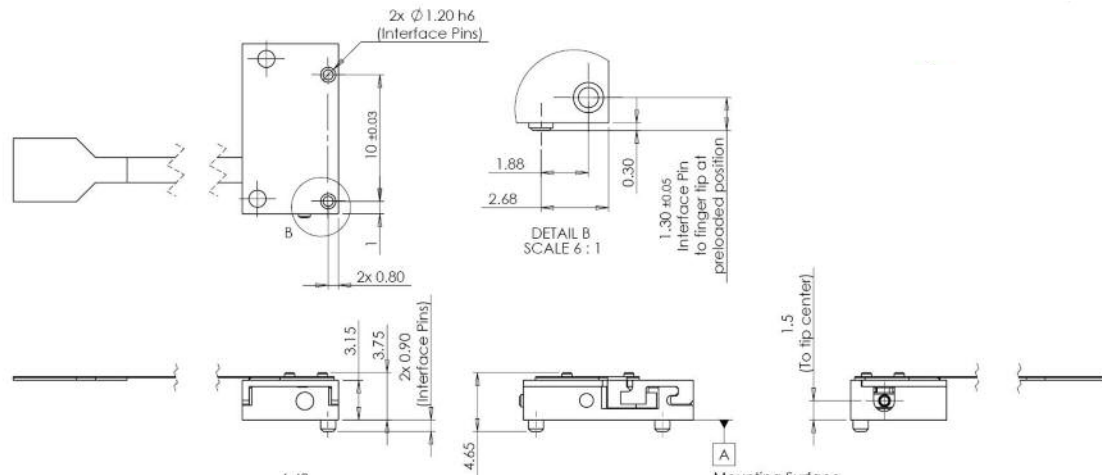
ENVIRONMENTAL

Operation Temperature:
 -40 °C ÷ 80 °C
 Vibrations: 10 g rms
 Shock: 350 g

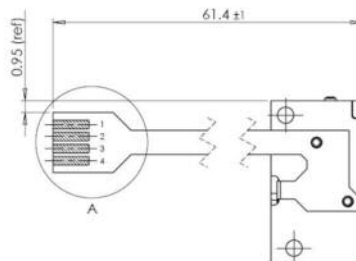
ELECTRICAL

Motor Voltage (max):
 8.5 ÷ 11 V AC
 Motor Current (max):
 130 mA AC

MECHANICAL DRAWINGS AND INTERFACE



ELECTRICAL INTERFACE



pin number	pin name	description
1	P_1	NM MOTOR PHASE 1
2	P_2	NM MOTOR PHASE 2
3, 4	COM	NM MOTOR COMMON

Nanomotion Ltd. Worldwide Headquarters

Mordot HaCarmel Industrial Park
 Yokneam 20692 Israel
 t: +972 73 2498000
 f: +972 73 2498099
 e: nano@nanomotion.com

Nanomotion Inc. U.S. Headquarters

1 Comac Loop, Suite 14B2
 Ronkonkoma, New York 11779
 t: (800) 821-6266
 t: (631) 585-3000
 f: (631) 585-1947
 e: nanoUS@nanomotion.com



A Johnson Electric Company