

Quantum Series

Brushless DC Motors

For Further Information Contact

Heason Technologies Group Ltd

Tel: +44(0)1403 755800

Fax: +44(0)1403 755810

Email: sales@heason.com

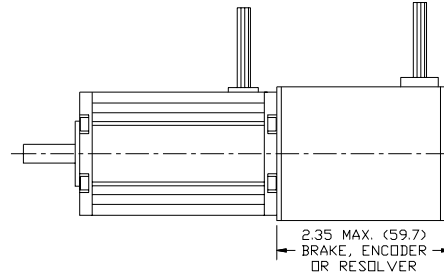
Freephone 0800 374903 www.heason.com

Heason
Technologies Group

QB/QS01700 Series

| MODEL NO. | "X" |
|-----------|--------------|
| QB01700 | 2.125 (54) |
| QB01701 | 2.625 (66.7) |
| QB01702 | 3.125 (79.4) |
| QB01703 | 3.625 (92.1) |

| ENCODER LEAD | | |
|--------------|------------------|------------------|
| FUNCTION | WITH COMMUTATION | LINE DRIVER ONLY |
| +5V | RED | RED |
| GROUND | BLACK | BLACK |
| CH. A | BLUE | GREEN |
| CH. B | GREEN | ORANGE |
| CH. A INV. | BLU/BLK | RED/BLK |
| CH. B INV. | GRN/BLK | WHT/BLK |
| INDEX | VIOLET | WHITE |
| INDEX INV. | VIO/BLK | BLUE |
| COMM U | BROWN | |
| COMM V | GRAY | |
| COMM. W | WHITE | |



- ENCODER WITH INDEX AND LINE DRIVER.
200, 400, 500, 1000, 1024 LINE COUNT AVAILABLE.
OPTIONAL ENCODER WITH COMMUTATION CHANNELS.
- BRAKE: POWER-OFF FAILSAFE BRAKE, 24 VDC.
1 IN-LB MIN. HOLDING TORQUE.
- CONSULT FACTORY FOR RESOLVER SPECIFICATIONS.

LEADWIRE - TEFLON COATED

TYPE "E" PER MIL-W-16878/4

A) MOTOR: #24 AWG. RED(A),WHT(B),BLK(C)

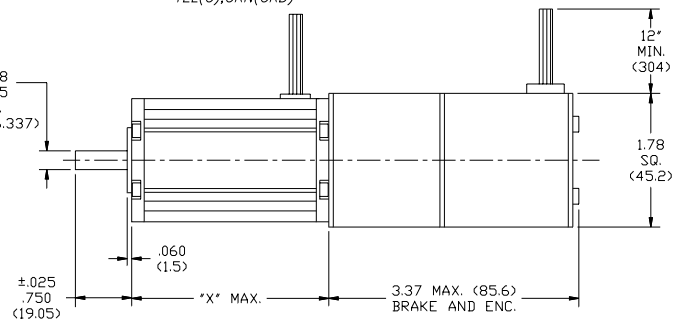
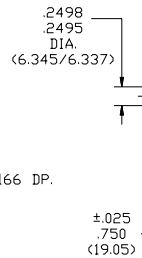
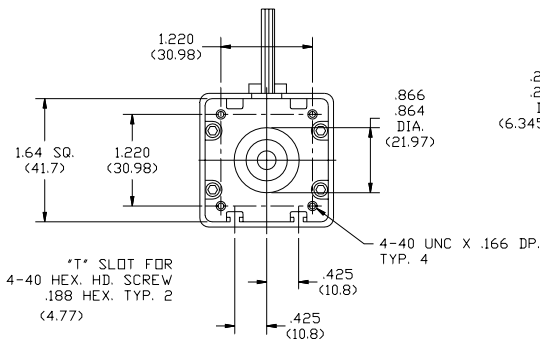
B) SENSOR: #28 AWG. BLU(+),BRN(A),ORG(B)

YEL(C),GRN(GRD)

ENCODER/BRAKE LEADS

ENC: 24 AWG. SHIELDED CABLE

BRAKE: 24 AWG. WHITE

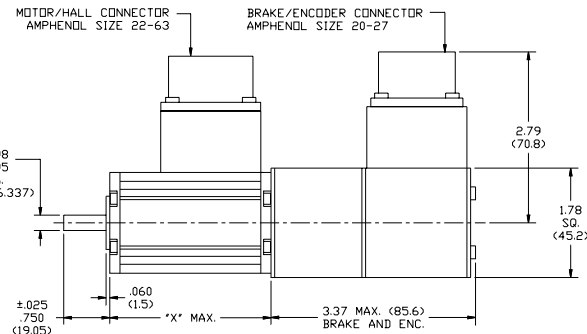
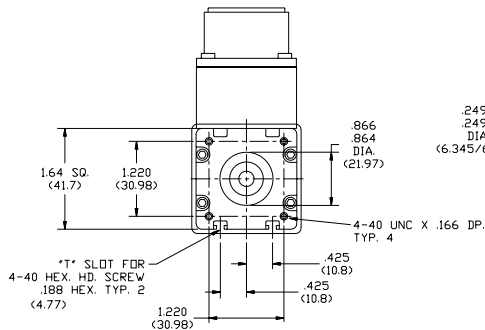
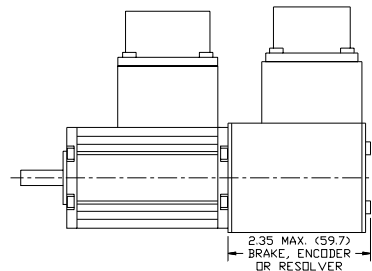


QB/QS01700 Series

| MODEL NO. | "X" |
|-----------|--------------|
| QB01700 | 2.125 (54) |
| QB01701 | 2.625 (66.7) |
| QB01702 | 3.125 (79.4) |
| QB01703 | 3.625 (92.1) |

| 22-63 CONNECTION | | 20-27 CONNECTION | |
|----------------------|-----|------------------|-----|
| DESC. | PIN | DESC. | PIN |
| PHASE A | A | +5V | A |
| PHASE B | B | GRD. | B |
| PHASE C | C | CH. A | C |
| + VDC | E | CH. B | D |
| GRD. | F | CH. A INV. | E |
| HALL A | H | CH. B INV. | F |
| HALL B | J | INDEX | G |
| HALL C | K | INDEX INV. | H |
| SHIELD (OPT) | N | COMM. U (OPT) | I |
| CASE GROUND (OPT) | D | COMM. V (OPT) | J |
| THERMAL SENSOR (OPT) | L | COMM. W (OPT) | K |
| THERMAL SENSOR (OPT) | M | SHIELD (OPT) | N |
| | | BRAKE + | L |
| | | BRAKE - | M |

- ENCODER WITH INDEX AND LINE DRIVER.
200, 400, 500, 1000, 1024 LINE COUNT AVAILABLE.
OPTIONAL ENCODER WITH COMMUTATION CHANNELS
- BRAKE: POWER-OFF FAILSAFE BRAKE, 24 VDC.
1 IN-LB MIN. HOLDING TORQUE.
- CONSULT FACTORY FOR RESOLVER SPECIFICATIONS.



Hathaway
Emoteq, Inc

Emoteq, Inc
10002 E. 43rd St. So.
Tulsa, OK 74116
USA
Tel 918 627 1845
Fax 918 660 0207
16

Emoteq UK
Box 772,
Rottingdean BN2 8ND
United Kingdom
Tel 01273 390800
Fax 01273 301060

Quantum Series Brushless DC Motors

Rugged Housings

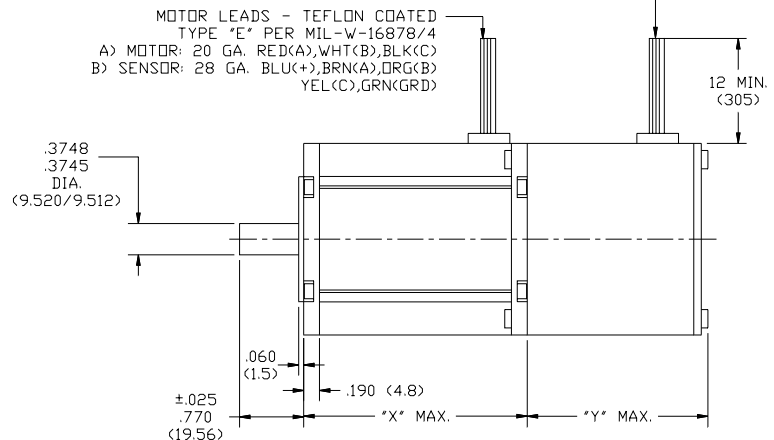
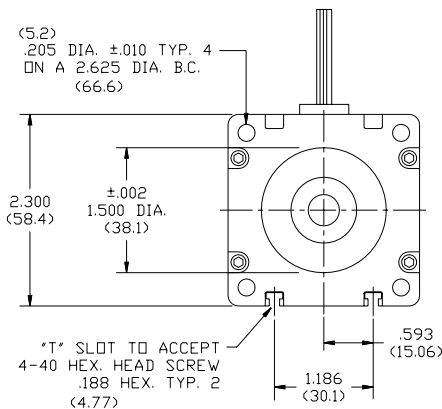
QB/QS02300 Series

| MODEL NO. | "X" |
|-----------|----------------|
| QB02300 | 2.800 (71.12) |
| QB02301 | 3.550 (90.17) |
| QB02302 | 4.300 (109.22) |
| QB02303 | 5.050 (128.27) |
| QB02304 | 5.800 (147.3) |

| OPTION | "Y" |
|-----------|-------------|
| ENCODER | 2.19 (55.6) |
| BRAKE | 2.19 (55.6) |
| RESOLVER | 2.19 (55.6) |
| BRAKE/ENC | 3.19 (81) |

| ENCODER LEAD | | |
|--------------|------------------|------------------|
| FUNCTION | WITH COMMUTATION | LINE DRIVER ONLY |
| +5V | RED | RED |
| GROUND | BLACK | BLACK |
| CH. A | BLUE | GREEN |
| CH. B | GREEN | ORANGE |
| CH. A INV. | BLU/BLK | RED/BLK |
| CH. B INV. | GRN/BLK | WHT/BLK |
| INDEX | VIOLET | WHITE |
| INDEX INV. | VIO/BLK | BLUE |
| COMM U | BROWN | |
| COMM V | GRAY | |
| COMM. W | WHITE | |

- ENCODER, WITH INDEX AND LINE DRIVER.
200, 400, 500, 1000 AND 1024 LINE COUNT AVAILABLE.
OPTIONAL ENCODER WITH COMMUTATION CHANNELS.
- BRAKE: POWER-OFF FAILSAFE BRAKE, 24 VDC.
5 IN-LB AND 10 IN-LB HOLDING TORQUE AVAILABLE.
- CONSULT FACTORY FOR RESOLVER SPECIFICATIONS.



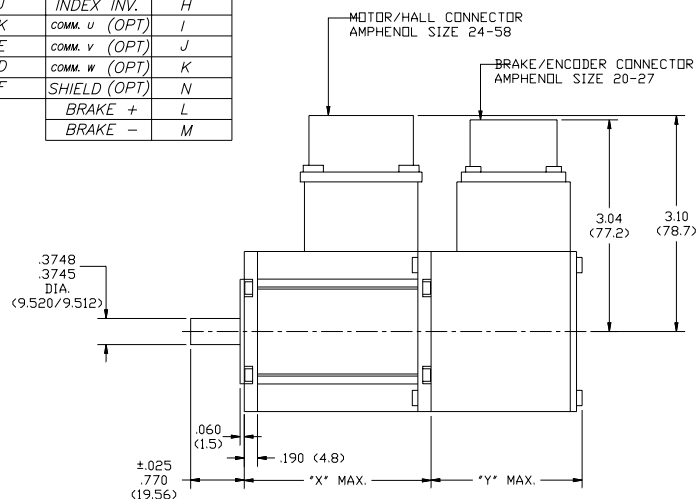
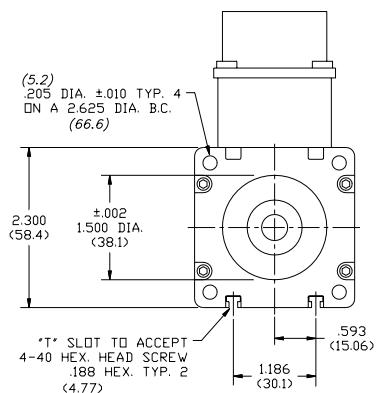
QB/QS02300 Series

| MODEL NO. | "X" |
|-----------|----------------|
| QB02300 | 2.800 (71.12) |
| QB02301 | 3.550 (90.17) |
| QB02302 | 4.300 (109.22) |
| QB02303 | 5.050 (128.27) |
| QB02304 | 5.800 (147.3) |

| OPTION | "Y" |
|-----------|-------------|
| ENCODER | 2.19 (55.6) |
| BRAKE | 2.19 (55.6) |
| RESOLVER | 2.19 (55.6) |
| BRAKE/ENC | 3.19 (81) |

| 24-58 CONNECTION | | 20-27 CONNECTION | |
|----------------------|-----|------------------|-----|
| DESC. | PIN | DESC. | PIN |
| PHASE A | A | +5V | A |
| PHASE B | B | GRD. | B |
| PHASE C | C | CH. A | C |
| + VDC | M | CH. B | D |
| GRD. | N | CH. A INV. | E |
| HALL A | P | CH. B INV. | F |
| HALL B | H | INDEX | G |
| HALL C | J | INDEX INV. | H |
| SHIELD | K | COMM. U (OPT) | I |
| CASE GROUND (OPT) | E | COMM. V (OPT) | J |
| THERMAL SENSOR (OPT) | D | COMM. W (OPT) | K |
| THERMAL SENSOR (OPT) | F | SHIELD (OPT) | N |
| | | BRAKE + | L |
| | | BRAKE - | M |

- ENCODER, WITH INDEX AND LINE DRIVER.
200, 400, 500, 1000 AND 1024 LINE COUNT AVAILABLE.
OPTIONAL ENCODER WITH COMMUTATION CHANNELS.
- BRAKE: POWER-OFF FAILSAFE BRAKE, 24 VDC.
5 IN-LB AND 10 IN-LB HOLDING TORQUE AVAILABLE.
- CONSULT FACTORY FOR RESOLVER SPECIFICATIONS.



Hathaway
Emoteq, Inc

Emoteq, Inc
10002 E. 43rd St. So.
Tulsa, OK 74116
USA
Tel 918 627 1845
Fax 918 660 0207

Emoteq UK
Box 772,
Rottingdean BN2 8ND
United Kingdom
Tel 01273 390800
Fax 01273 301060

Quantum Series Brushless DC Motors

Rugged Housings

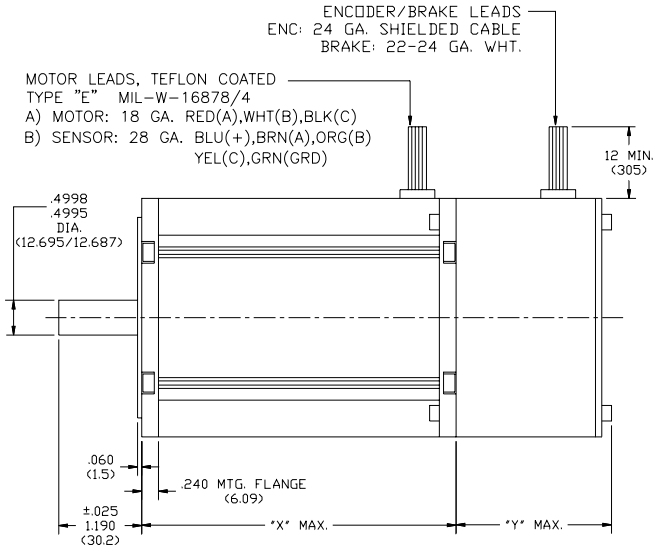
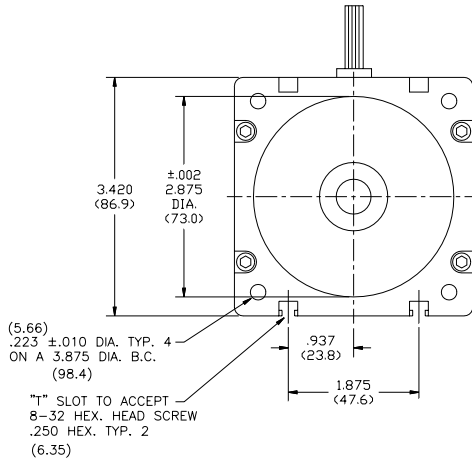
QB/QS03400 Series

| MODEL NO. | "X" |
|-----------|--------------|
| QB03400 | 3.01 (76.5) |
| QB03401 | 3.76 (95.5) |
| QB03402 | 4.51 (114.6) |
| QB03403 | 5.26 (133.6) |

| OPTION | "Y" |
|------------|-------------|
| ENCODER | 2.26 (57.4) |
| BRAKE | 2.26 (57.4) |
| RESOLVER | 2.26 (57.4) |
| BRAKE/ENC. | 2.96 (75.2) |

| ENCODER LEAD | | |
|--------------|------------------|------------------|
| FUNCTION | WITH COMMUTATION | LINE DRIVER ONLY |
| +5V | RED | RED |
| GROUND | BLACK | BLACK |
| CH. A | BLUE | GREEN |
| CH. B | GREEN | ORANGE |
| CH. A INV. | BLU/BLK | RED/BLK |
| CH. B INV. | GRN/BLK | WHT/BLK |
| INDEX | VIOLET | WHITE |
| INDEX INV. | VIO/BLK | BLUE |
| COMM U | BROWN | |
| COMM V | GRAY | |
| COMM W | WHITE | |

- ENCODER WITH INDEX AND LINE DRIVER.
200, 400, 500, 1000 AND 1024 LINE COUNTS AVAILABLE.
OPTIONAL ENCODER WITH COMMUTATION CHANNELS.
- BRAKE: POWER-OFF FAILSAFE BRAKE, 24 VDC.
5 IN-LB, 10 IN-LB AND 40 IN-LB HOLDING TORQUE AVAILABLE.
- CONSULT FACTORY FOR RESOLVER SPECIFICATIONS.



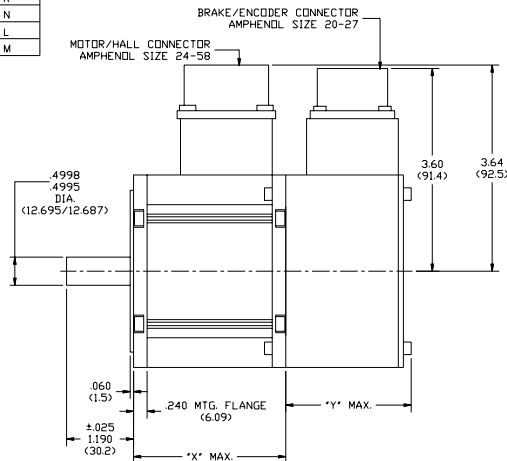
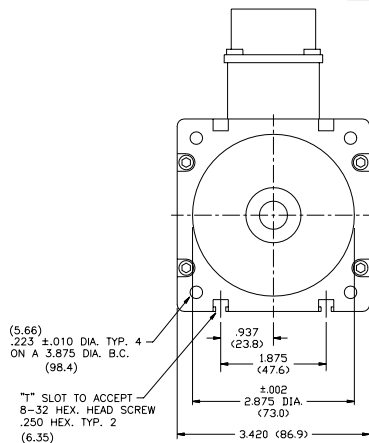
QB/QS03400 Series

| MODEL NO. | LENGTH "X" |
|-----------|--------------|
| QB03400 | 3.01 (76.5) |
| QB03401 | 3.76 (95.5) |
| QB03402 | 4.51 (114.6) |
| QB03403 | 5.26 (133.6) |

| OPTION | LENGTH "Y" |
|------------|-------------|
| ENCODER | 2.26 (57.4) |
| BRAKE | 2.26 (57.4) |
| RESOLVER | 2.26 (57.4) |
| BRAKE/ENC. | 2.96 (75.2) |

| 24-58 CONNECTION | | 20-27 CONNECTION | |
|----------------------|-----|------------------|-----|
| DESC. | PIN | DESC. | PIN |
| PHASE A | A | + 5V | A |
| PHASE B | B | GRD. | B |
| PHASE C | C | CH. A | C |
| + VDC | M | CH. B | D |
| GRD. | N | CH. A INV. | E |
| HALL A | P | CH. B INV. | F |
| HALL B | H | INDEX | G |
| HALL C | J | INDEX INV. | H |
| SHIELD (OPT) | K | COMM. U (OPT) | I |
| CASE GROUND (OPT) | E | COMM. V (OPT) | J |
| THERMAL SENSOR (OPT) | D | COMM. W (OPT) | K |
| THERMAL SENSOR (OPT) | F | SHIELD (OPT) | N |
| BRAKE + | L | | |
| BRAKE - | M | | |

- ENCODER, WITH INDEX AND LINE DRIVER.
200, 400, 500, 1000 AND 1024 LINE COUNT AVAILABLE.
OPTIONAL ENCODER WITH COMMUTATION CHANNELS.
- BRAKE: POWER-OFF FAILSAFE BRAKE, 24 VDC.
5 IN-LB, 10 IN-LB AND 40 IN-LB HOLDING TORQUE AVAILABLE.
- CONSULT FACTORY FOR RESOLVER SPECIFICATIONS.



Hathaway
Emoteq, Inc

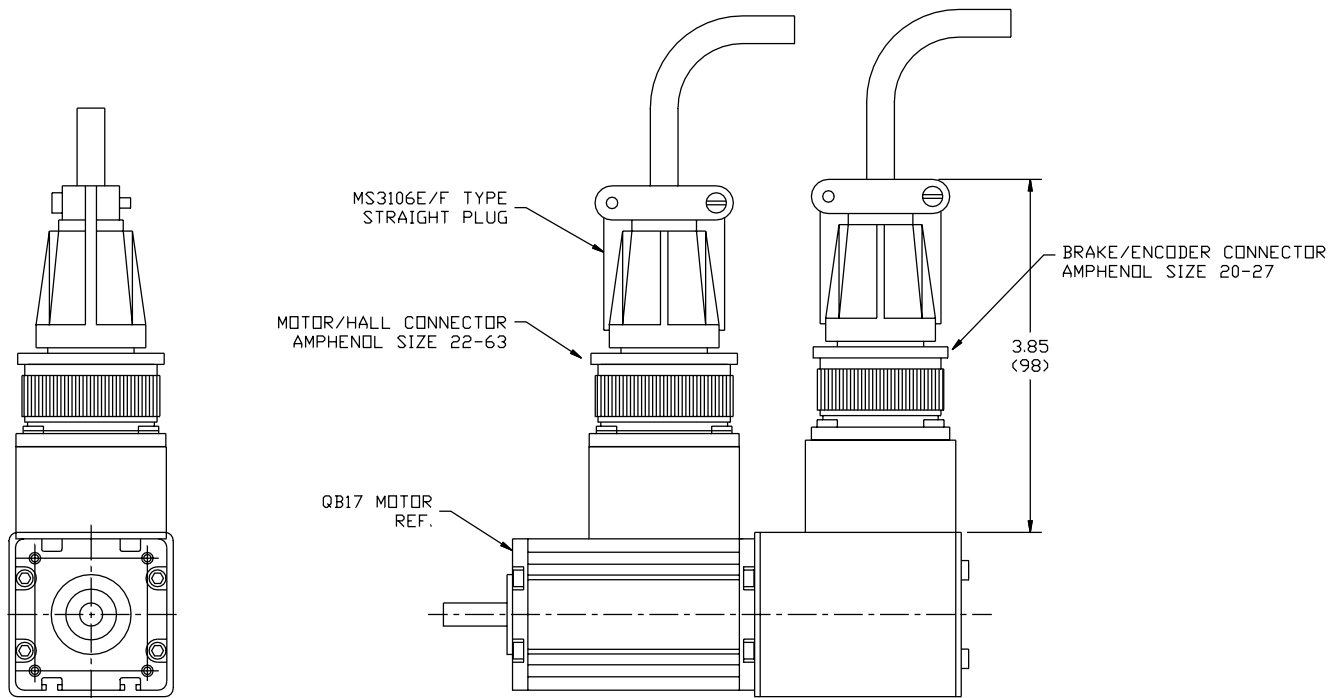
Emoteq, Inc
10002 E. 43rd St. So.
Tulsa, OK 74116
USA
Tel 918 627 1845
Fax 918 660 0207
18

Emoteq UK
Box 772,
Rottingdean BN2 8ND
United Kingdom
Tel 01273 390800
Fax 01273 301060

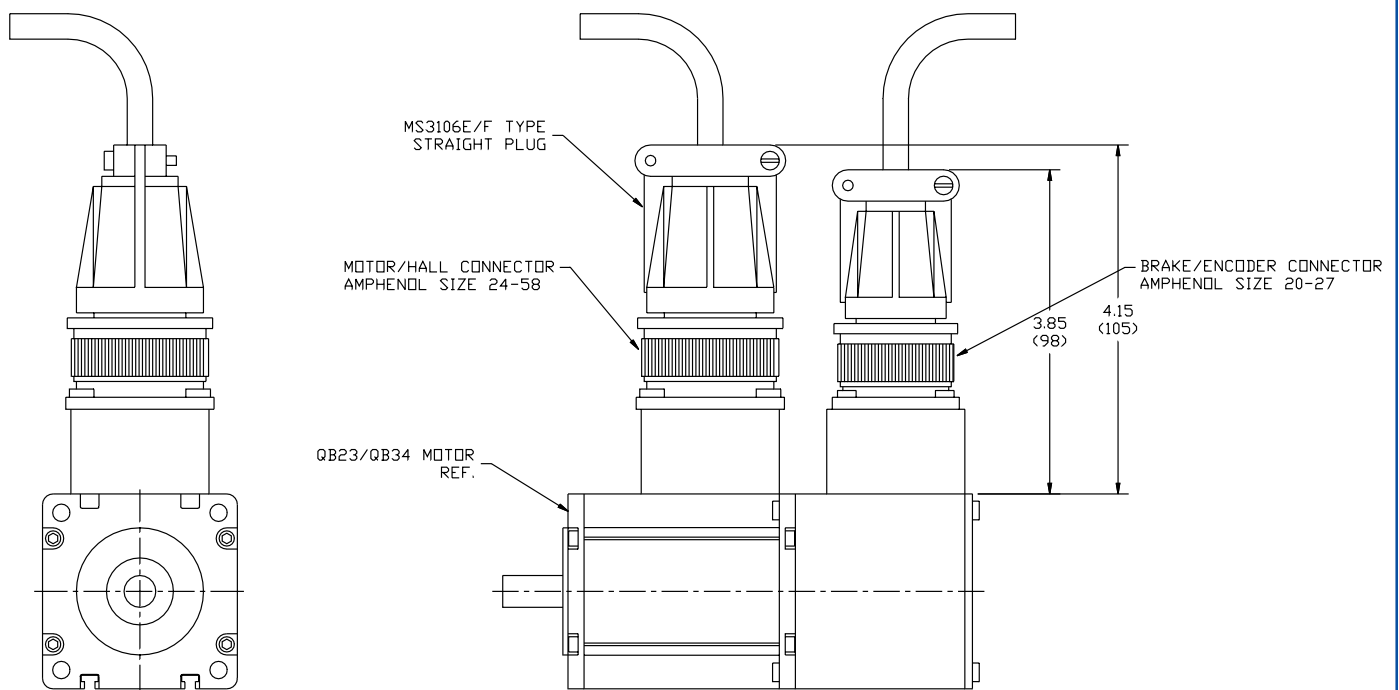
Quantum Series Brushless DC Motors

Mating Connectors

QB/QS01700 Series



QB/QS02300/3400 Series



Hathaway
Emoteq, Inc

Emoteq, Inc
10002 E. 43rd St. So.
Tulsa, OK 74116
USA
Tel 918 627 1845
Fax 918 660 0207

Emoteq UK
Box 772,
Rottingdean BN2 8ND
United Kingdom
Tel 01273 390800
Fax 01273 301060