

Quantum Series

Brushless DC Motors

For Further Information Contact

Heason Technologies Group Ltd

Tel: +44(0)1403 755800

Fax: +44(0)1403 755810

Email: sales@heason.com

Freephone 0800 374903 www.heason.com

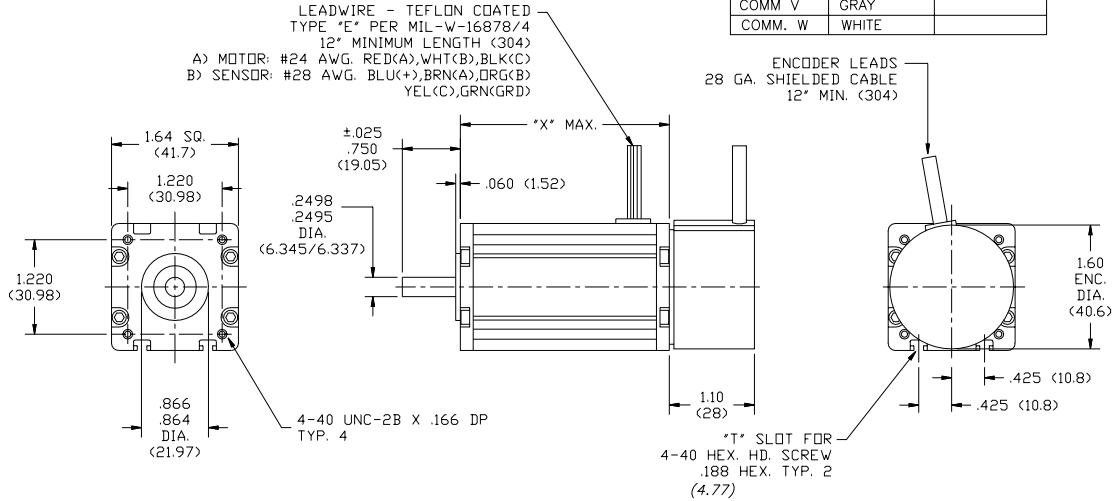
Heason
Technologies Group

QB/QS01700 Series

1. ENCODER WITH INDEX AND LINE DRIVER.
200, 400, 500, 1000, 1024 LINE COUNT AVAILABLE.
OPTIONAL ENCODER WITH COMMUTATION CHANNELS.

MODEL	LENGTH "X"
QB01700	2.125 (54.0)
QB01701	2.625 (66.7)
QB01702	3.125 (79.4)
QB01703	3.625 (92.1)

ENCODER LEAD		
FUNCTION	WITH COMMUTATION	LINE DRIVER ONLY
+5V	RED	RED
GROUND	BLACK	BLACK
CH. A	BLUE	GREEN
CH. B	GREEN	ORANGE
CH. A INV.	BLU/BLK	RED/BLK
CH. B INV.	GRN/BLK	WHT/BLK
INDEX	VIOLET	WHITE
INDEX INV.	VIO/BLK	BLUE
COMM U	BROWN	
COMM V	GRAY	
COMM W	WHITE	

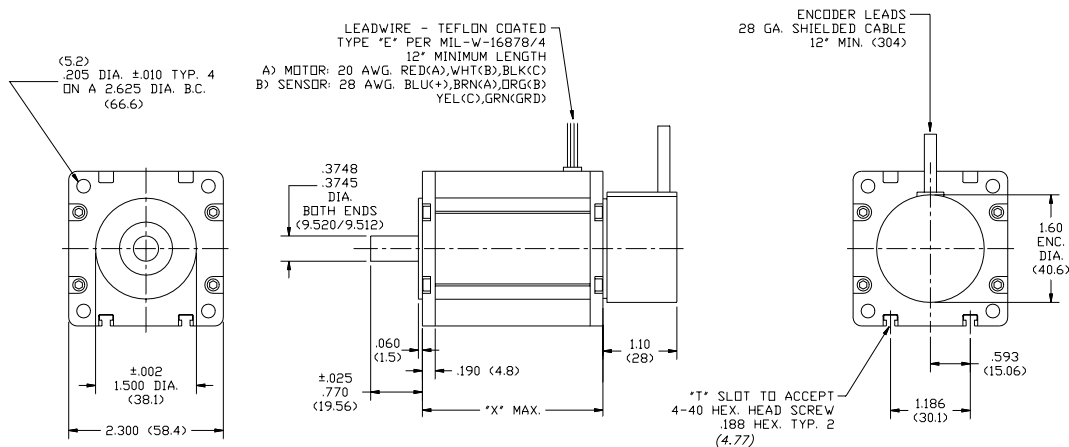


QB/QS02300 Series

1. ENCODER WITH INDEX AND LINE DRIVER.
200, 400, 500, 1000, 1024 LINE COUNT AVAILABLE.
OPTIONAL ENCODER WITH COMMUTATION CHANNELS.

MODEL NO.	"X"
QB02300	2.800 (71.12)
QB02301	3.550 (90.17)
QB02302	4.300 (109.22)
QB02303	5.050 (128.27)

ENCODER LEAD		
FUNCTION	WITH COMMUTATION	LINE DRIVER ONLY
+5V	RED	RED
GROUND	BLACK	BLACK
CH. A	BLUE	GREEN
CH. B	GREEN	ORANGE
CH. A INV.	BLU/BLK	RED/BLK
CH. B INV.	GRN/BLK	WHT/BLK
INDEX	VIOLET	WHITE
INDEX INV.	VIO/BLK	BLUE
COMM U	BROWN	
COMM V	GRAY	
COMM W	WHITE	



Hathaway
Emoteq, Inc

Emoteq, Inc
10002 E. 43rd St. So.
Tulsa, OK 74116
USA
Tel 918 627 1845
Fax 918 660 0207
14

Emoteq UK
Box 772,
Rottingdean BN2 8ND
United Kingdom
Tel 01273 390800
Fax 01273 301060

Quantum Series

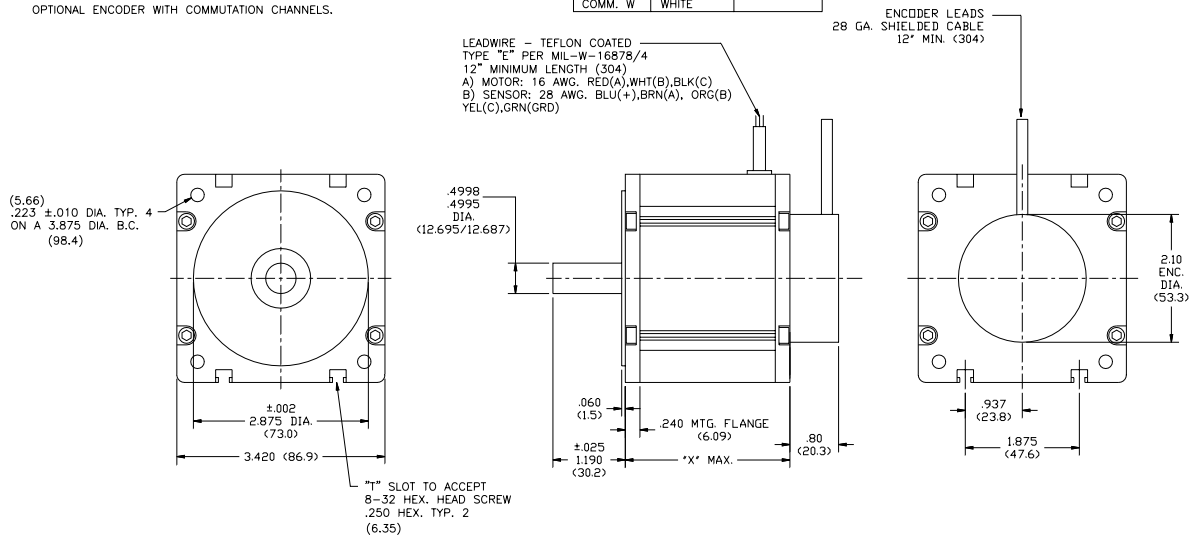
Brushless DC Motors

Encoders

QB/QS03400 Series

MODEL NO.	LENGTH "X"	ENCODER LEAD
QB03400	3.01 (76.5)	FUNCTION WITH COMMUTATION LINE DRIVER ONLY
QB03401	3.76 (95.5)	+5V RED RED
QB03402	4.51 (114.6)	GROUND BLACK BLACK
QB03403	5.26 (133.6)	CH. A BLUE GREEN
		CH. B GREEN ORANGE
		CH. A INV. BLU/BLK RED/BLK
		CH. B INV. GRN/BLK WHT/BLK
		INDEX VIOLET WHITE
		INDEX INV. VIO/BLK BLUE
		COMM U BROWN
		COMM V GRAY
		COMM. W WHITE

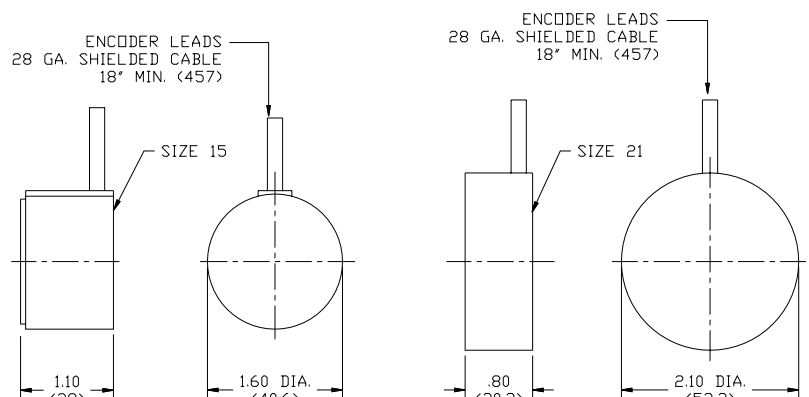
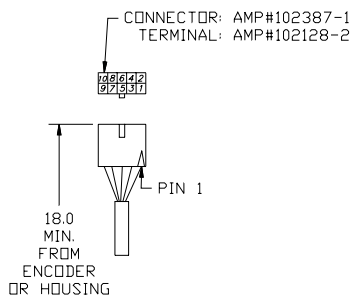
1. ENCODER WITH INDEX AND LINE DRIVER.
500, 1000, 1024, 2000 AND 2048 LINE COUNT AVAILABLE.
OPTIONAL ENCODER WITH COMMUTATION CHANNELS.



Encoder Connections

ENCODER TERMINATION			
FUNCTION	WITH COMMUTATION	LINE DRIVER ONLY	CONNECTOR
+5V	RED	RED	PIN 1
GROUND	BLACK	BLACK	PIN 10
CH. A	BLUE	GREEN	PIN 4
CH. B	GREEN	ORANGE	PIN 6
CH. A INV.	BLU/BLK	RED/BLK	PIN 3
CH. B INV.	GRN/BLK	WHT/BLK	PIN 5
INDEX	VIOLET	WHITE	PIN 7
INDEX INV.	VIO/BLK	BLUE	PIN 9
COMM U	BROWN		
COMM V	GRAY		
COMM. W	WHITE		

1. ENCODER WITH INDEX AND LINE DRIVER.
OPTIONAL ENCODER WITH COMMUTATION CHANNELS.
LINE COUNTS AVAILABLE:
SIZE 15: 200, 400, 500, 1000, 1024
SIZE 21: 500, 1000, 1024, 2000, 2048



Hathaway
Emoteq, Inc

Emoteq, Inc
10002 E. 43rd St. So.
Tulsa, OK 74116
USA
Tel 918 627 1845
Fax 918 660 0207

Emoteq UK
Box 772,
Rottingdean BN2 8ND
United Kingdom
Tel 01273 390800
Fax 01273 301060