

For Further Information Contact

Heason Technologies Group Ltd

Tel: +44(0)1403 755800

Fax: +44(0)1403 755810

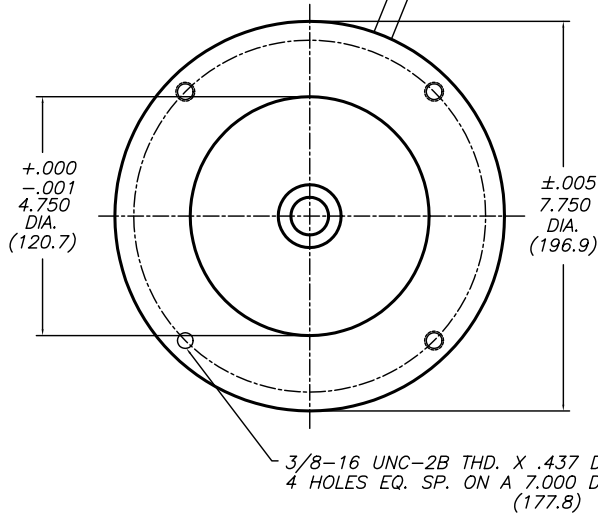
Email: sales@heason.com

Freephone 0800 374903 www.heason.com

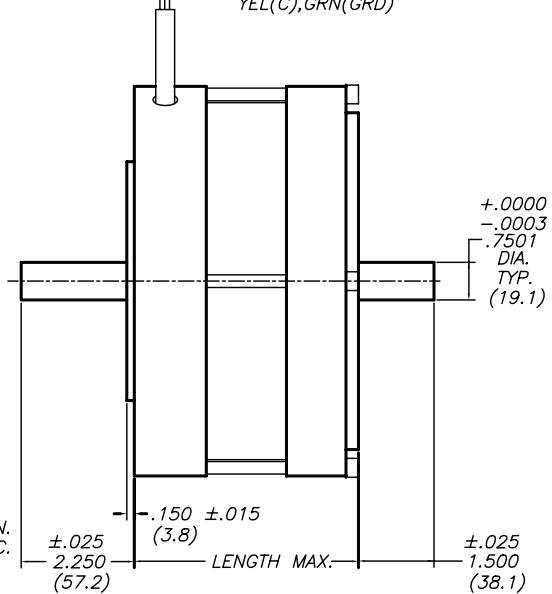
Heason
Technologies Group

HT07000 SERIES HOUSED

MODEL	LENGTH
HT07000	3.100(78.7)
HT07001	3.770(95.8)
HT07002	4.440(112.8)
HT07003	5.110(129.8)
HT07004	5.780(146.8)

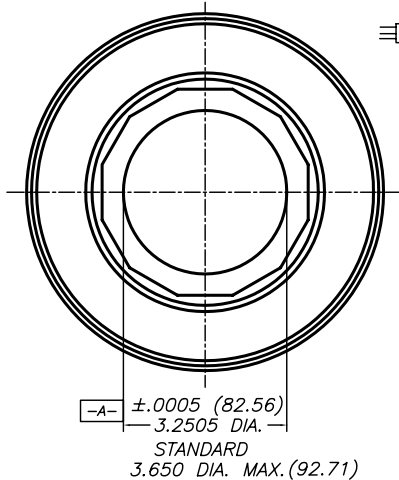


LEADWIRE - TEFLON COATED
TYPE "E" PER MIL-W-16878/4
12" MINIMUM LENGTH
A) MOTOR: # 14 AWG. RED(A),WHT(B),BLK(C).
B) SENSOR: #28 AWG. BLU(+),BRN(A),ORG(B),
YEL(C),GRN(GRD)

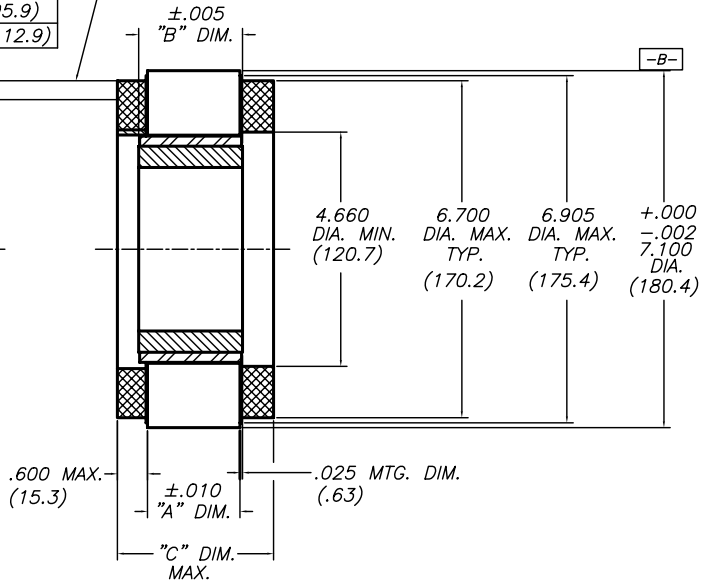


HT07000 SERIES FRAMELESS

MODEL	"A" DIM.	"B" DIM.	"C" DIM.
HT07000	.500(12.7)	.700(17.8)	1.767(44.9)
HT07001	1.170(29.8)	1.370(34.8)	2.437(61.9)
HT07002	1.840(46.8)	2.040(51.9)	3.107(78.9)
HT07003	2.510(63.8)	2.710(68.9)	3.777(95.9)
HT07004	3.180(80.8)	3.380(85.9)	4.447(112.9)



LEADWIRE - TEFLON COATED
TYPE "E" PER MIL-W-16878/4
12" MINIMUM LENGTH
A) MOTOR: # 14 AWG. RED(A),WHT(B),BLK(C).
B) SENSOR: #28 AWG. BLU(+),BRN(A),ORG(B),
YEL(C),GRN(GRD)



1. MOTOR SUPPLIED AS TWO SEPARATE COMPONENTS, ROTOR ASSEMBLY AND STATOR ASSEMBLY.
2. DIAMETERS -A- AND -B- TO BE CONCENTRIC WITHIN .002 WHEN MOUNTED.
3. MOUNTING SURFACE BETWEEN 7.100 AND 6.905 DIAMETERS ON BOTH SIDES.