

For Further Information Contact

Heason Technologies Group Ltd

Tel: +44(0)1403 755800

Fax: +44(0)1403 755810

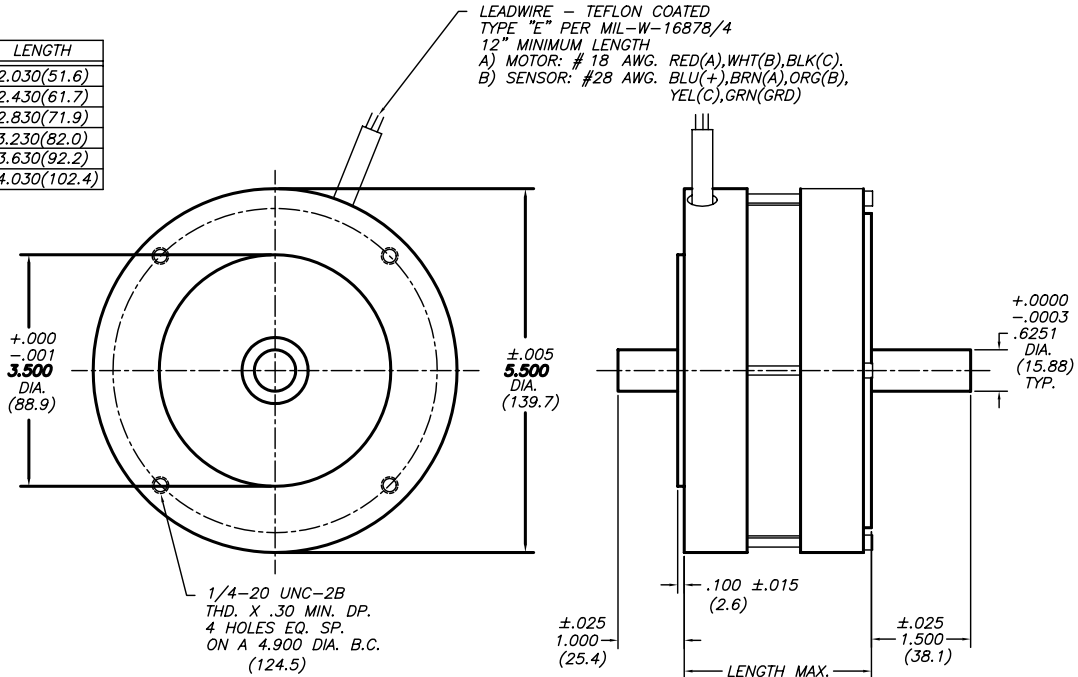
Email: sales@heason.com

Freephone 0800 374903 www.heason.com

Heason
Technologies Group

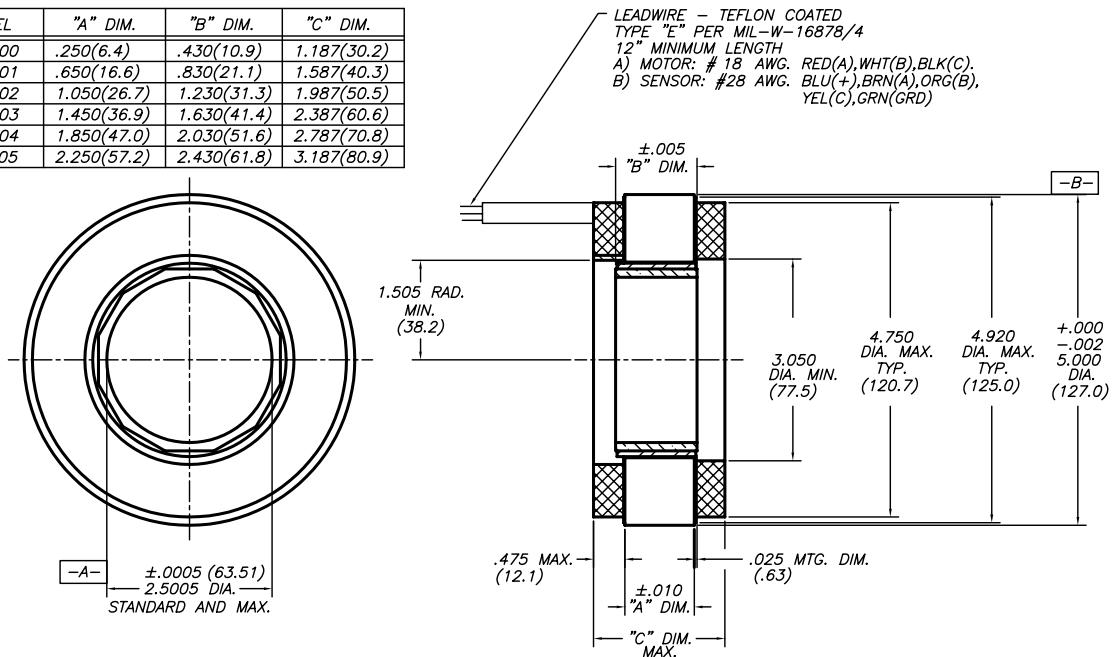
HT05000 SERIES HOUSED

MODEL	LENGTH
HT05000	2.030(51.6)
HT05001	2.430(61.7)
HT05002	2.830(71.9)
HT05003	3.230(82.0)
HT05004	3.630(92.2)
HT05005	4.030(102.4)



HT05000 SERIES FRAMELESS

MODEL	"A" DIM.	"B" DIM.	"C" DIM.
HT05000	.250(6.4)	.430(10.9)	1.187(30.2)
HT05001	.650(16.6)	.830(21.1)	1.587(40.3)
HT05002	1.050(26.7)	1.230(31.3)	1.987(50.5)
HT05003	1.450(36.9)	1.630(41.4)	2.387(60.6)
HT05004	1.850(47.0)	2.030(51.6)	2.787(70.8)
HT05005	2.250(57.2)	2.430(61.8)	3.187(80.9)



1. MOTOR SUPPLIED AS TWO SEPARATE COMPONENTS, ROTOR ASSEMBLY AND STATOR ASSEMBLY.
2. DIAMETERS "A" AND "B" TO BE CONCENTRIC WITHIN .002 WHEN MOUNTED.
3. MOUNTING SURFACE BETWEEN 5.000 AND 4.920 DIAMETERS ON BOTH SIDES.