

For Further Information Contact

Heason Technologies Group Ltd

Tel: +44(0)1403 755800

Fax: +44(0)1403 755810

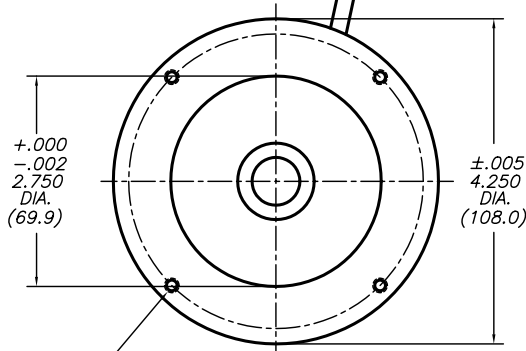
Email: sales@heason.com

Freephone 0800 374903 www.heason.com

Heason
Technologies Group

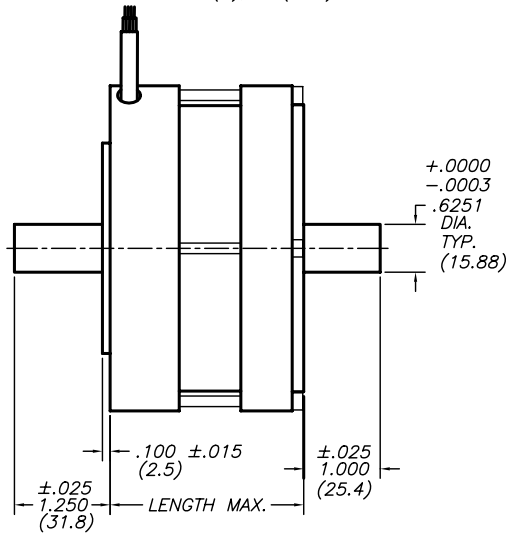
HTO3800 SERIES HOUSED

MODEL	LENGTH
HTO3800	1.731(44.0)
HTO3801	2.131(54.1)
HTO3802	2.531(64.3)
HTO3803	2.931(74.4)
HTO3804	3.331(84.6)
HTO3805	3.731(94.8)



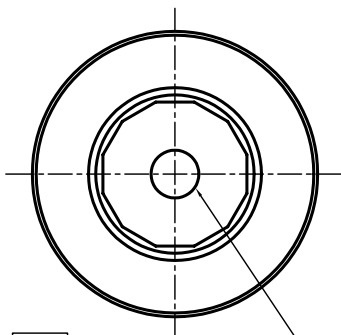
1/4-20 UNC-2B
THD. X .28 MIN. DP.
4 HOLES EQ. SP.
ON A 3.850 DIA. B.C.
(97.8)

LEADWIRE - TEFLON COATED
TYPE "E" PER MIL-W-16878/4
12" MINIMUM LENGTH
A) MOTOR: # 18 AWG. RED(A),WHT(B),BLK(C).
B) SENSOR: #28 AWG. BLU(+),BRN(A),ORG(B),
YEL(C),GRN(GRD)



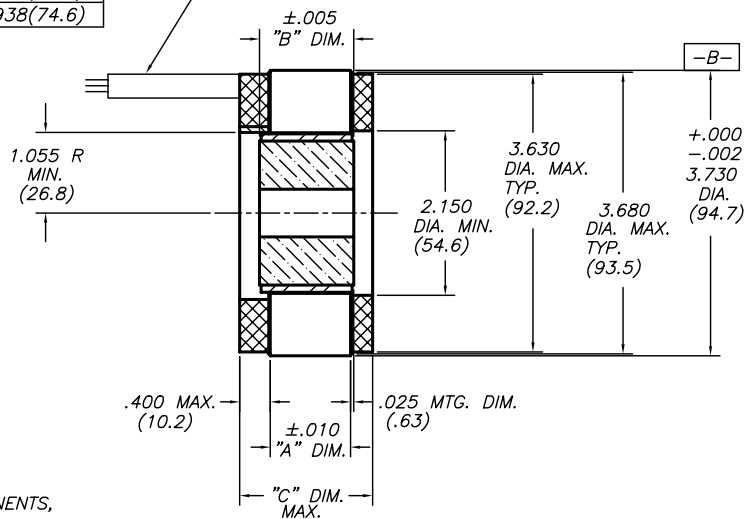
HTO3800 SERIES FRAMELESS

MODEL	"A" DIM.	"B" DIM.	"C" DIM.
HTO3800	.250(6.4)	.430(10.9)	.938(23.9)
HTO3801	.650(16.6)	.830(21.1)	1.338(34.0)
HTO3802	1.050(26.7)	1.230(31.3)	1.738(44.1)
HTO3803	1.450(36.9)	1.630(41.4)	2.138(54.3)
HTO3804	1.850(47.0)	2.030(51.6)	2.538(64.5)
HTO3805	2.250(57.2)	2.430(61.8)	2.938(74.6)



-A-
STANDARD DIA. .6260 ±.0005 (15.9)
MAX. DIA. 1.680 (42.67)

LEADWIRE - TEFLON COATED
TYPE "E" PER MIL-W-16878/4
12" MINIMUM LENGTH
A) MOTOR: # 18 AWG. RED(A),WHT(B),BLK(C).
B) SENSOR: #28 AWG. BLU(+),BRN(A),ORG(B),
YEL(C),GRN(GRD)



1. MOTOR SUPPLIED AS TWO SEPARATE COMPONENTS, ROTOR ASSEMBLY AND STATOR ASSEMBLY.
2. DIAMETERS "A" AND "B" TO BE CONCENTRIC WITHIN .002 WHEN MOUNTED.
3. MOUNTING SURFACE BETWEEN 3.730 AND 3.680 DIAMETERS ON BOTH SIDES.