

For Further Information Contact ....

Heason Technologies Group Ltd

Tel: +44(0)1403 755800

Fax: +44(0)1403 755810

Email: sales@heason.com

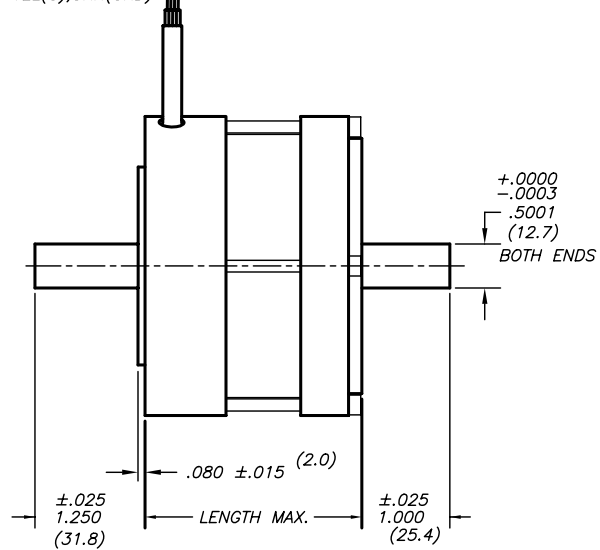
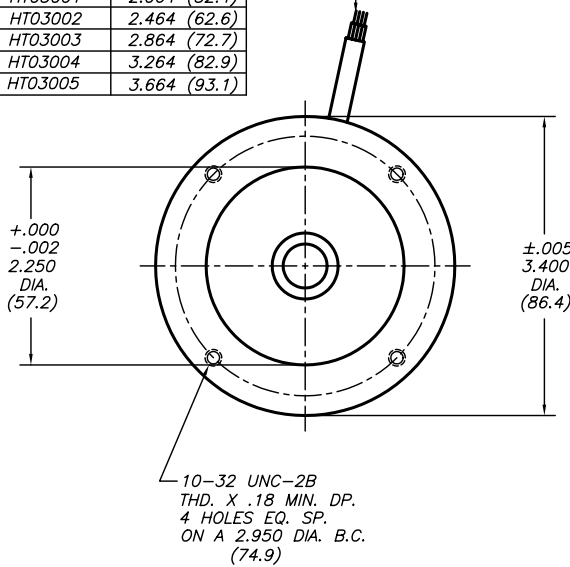
Freephone 0800 374903 www.heason.com

**Heason**  
Technologies Group

HT03000 SERIES HOUSED

MODEL	LENGTH
HT03000	1.664 (42.3)
HT03001	2.064 (52.4)
HT03002	2.464 (62.6)
HT03003	2.864 (72.7)
HT03004	3.264 (82.9)
HT03005	3.664 (93.1)

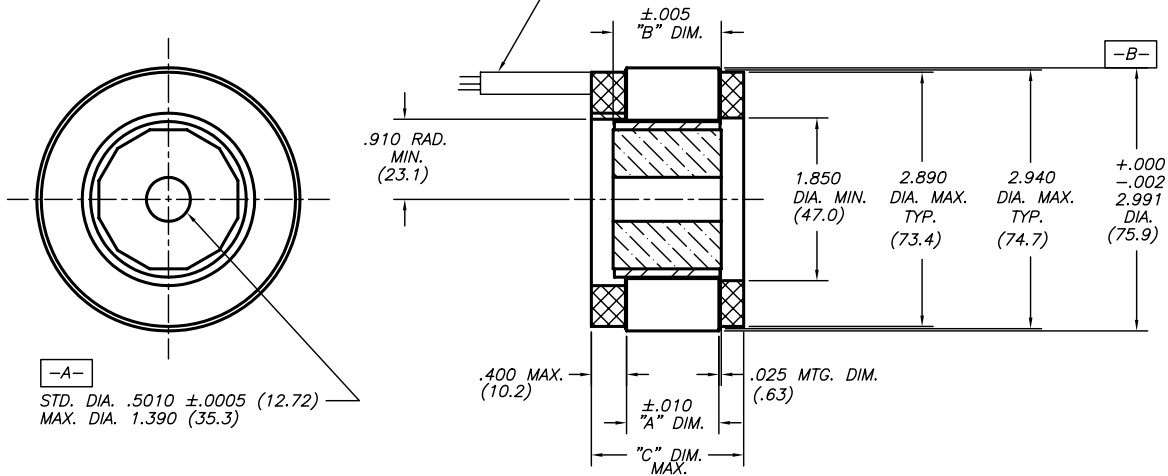
LEADWIRE - TEFLON COATED  
TYPE "E" PER MIL-W-16878/4  
12" MINIMUM LENGTH  
A) MOTOR: # 18 AWG. RED(A),WHT(B),BLK(C).  
B) SENSOR: #28 AWG. BLU(+),BRN(A),ORG(B),  
YEL(C),GRN(GRD)



HT03000 SERIES FRAMELESS

MODEL	"A" DIM.	"B" DIM.	"C" DIM.
HT03000	.250(6.4)	.430(10.9)	.931(23.6)
HT03001	.650(16.6)	.830(21.1)	1.331(33.8)
HT03002	1.050(26.7)	1.230(31.3)	1.731(44.0)
HT03003	1.450(36.9)	1.630(41.4)	2.131(54.1)
HT03004	1.850(47.0)	2.030(51.6)	2.531(64.3)
HT03005	2.250(57.2)	2.430(61.8)	2.931(74.4)

LEADWIRE - TEFLON COATED  
TYPE "E" PER MIL-W-16878/4  
12" MINIMUM LENGTH  
A) MOTOR: # 18 AWG. RED(A),WHT(B),BLK(C).  
B) SENSOR: #28 AWG. BLU(+),BRN(A),ORG(B),  
YEL(C),GRN(GRD)



1. MOTOR SUPPLIED AS TWO SEPARATE COMPONENTS, ROTOR ASSEMBLY AND STATOR ASSEMBLY.
2. DIAMETERS "A" AND "B" TO BE CONCENTRIC WITHIN .002 WHEN MOUNTED.
3. MOUNTING SURFACE BETWEEN 2.991 AND 2.940 DIAMETERS ON BOTH SIDES.