

For Further Information Contact

Heason Technologies Group Ltd

Tel: +44(0)1403 755800

Fax: +44(0)1403 755810

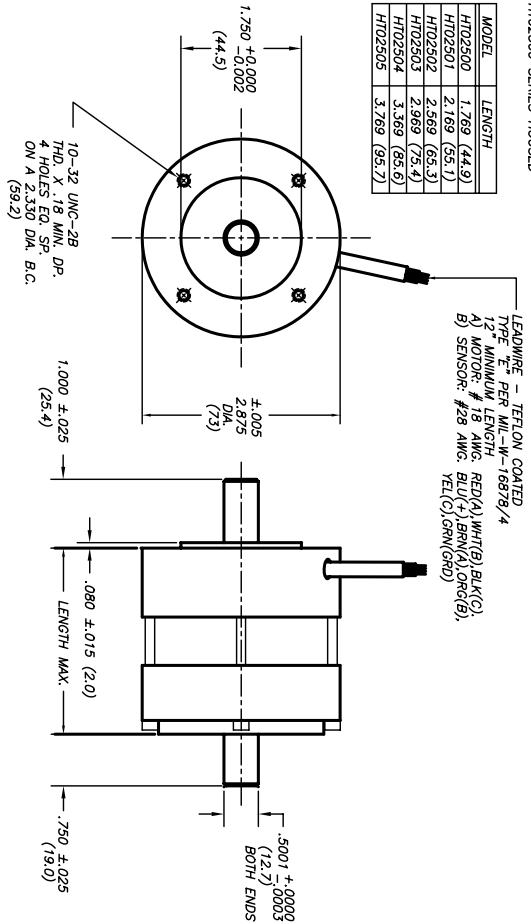
Email: sales@heason.com

Freephone 0800 374903 www.heason.com

Heason
Technologies Group

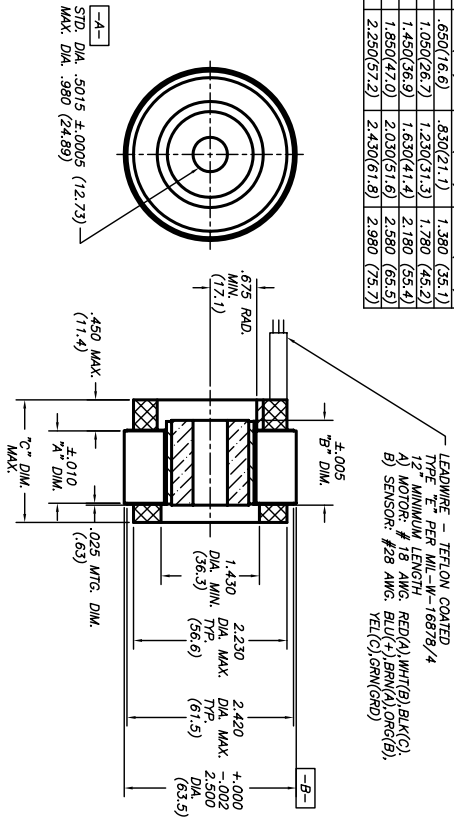
HT02500 SERIES HOUSED

MODEL	LENGTH
HT02500	1.769 (44.9)
HT02501	2.169 (55.1)
HT02502	2.569 (65.3)
HT02503	2.969 (75.4)
HT02504	3.369 (85.6)
HT02505	3.769 (95.7)



HT02500 SERIES FRAMELESS

MODEL	A" DIM.	B" DIM.	C" DIM.
HT02500	2.500 (6.4)	4.300 (10.9)	.980 (24.9)
HT02501	6.500 (16.6)	8.300 (21.1)	1.380 (35.1)
HT02502	1.050 (26.7)	1.230 (31.3)	1.780 (45.2)
HT02503	1.450 (36.9)	1.630 (41.4)	2.180 (55.4)
HT02504	1.850 (47.0)	2.030 (51.6)	2.580 (65.5)
HT02505	2.250 (57.2)	2.430 (61.8)	2.980 (75.7)



1. MOTOR SUPPLIED AS TWO SEPARATE COMPONENTS, ROTOR ASSEMBLY AND STATOR ASSEMBLY.
2. DIAMETERS "A" AND "B" TO BE CONCENTRIC WITHIN .002 WHEN MOUNTED.
3. MOUNTING SURFACE BETWEEN 2.500 AND 2.420 DIAMETERS ON BOTH SIDES.