

For Further Information Contact .....

Heason Technologies Group Ltd

Tel: +44(0)1403 755800

Fax: +44(0)1403 755810

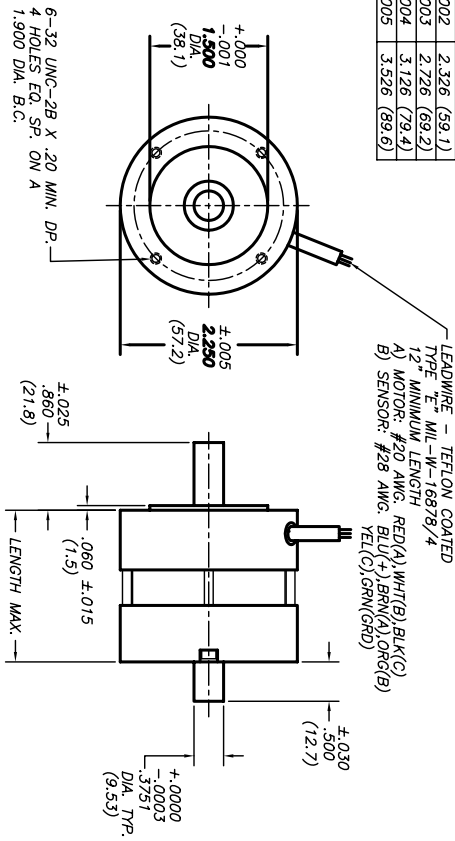
Email: sales@heason.com

Freephone 0800 374903 www.heason.com

**Heason**  
Technologies Group

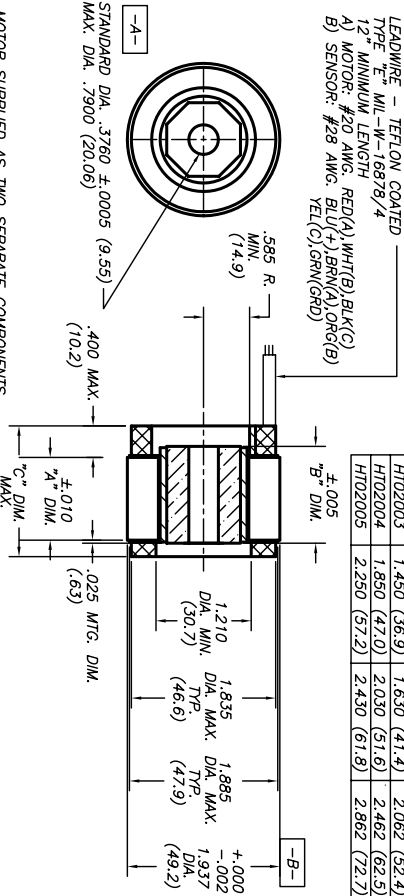
HT02000 SERIES HOUSED

MODEL	LENGTH
HT02000	1.526 (38.8)
HT02001	1.926 (48.9)
HT02002	2.326 (59.1)
HT02003	2.726 (69.2)
HT02004	3.126 (79.4)
HT02005	3.526 (89.6)



HT02000 SERIES FRAMELESS

MODEL	"A" DIM.	"B" DIM.	"C" DIM.
HT02000	.250 (6.4)	.430 (10.9)	.862 (21.9)
HT02001	.650 (16.6)	.830 (21.1)	1.262 (32.1)
HT02002	1.050 (26.7)	1.230 (31.3)	1.662 (42.2)
HT02003	1.450 (36.9)	1.630 (41.4)	2.062 (52.4)
HT02004	1.850 (47.0)	2.030 (51.6)	2.462 (62.5)
HT02005	2.250 (57.2)	2.430 (61.8)	2.862 (72.7)



1. MOTOR SUPPLIED AS TWO SEPARATE COMPONENTS.
2. MOTOR ASSEMBLY AND STATOR ASSEMBLY. DIMETERS -A- AND -B- TO BE CONCENTRIC WITHIN DIMETERS -C-.
3. MOUNTING SURFACE BETWEEN 1.488 AND 1.410 DIMETERS ON BOTH SIDES.