



HEIDENHAIN

For Further Information Contact

Heason Technologies Group Ltd

Tel: +44(0)1403 755800

Fax: +44(0)1403 755810

Email: sales@heason.com

Freephone 0800 374903 www.heason.com

Heason
Technologies Group



Product Information

LC 182

LC 192

Absolute Linear Encoders

September 2005

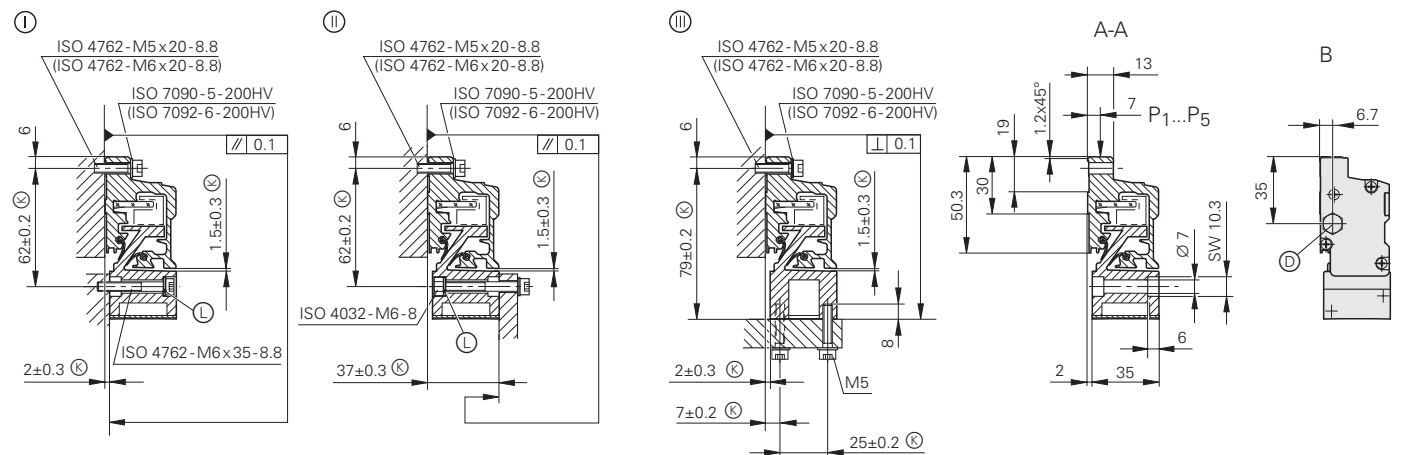
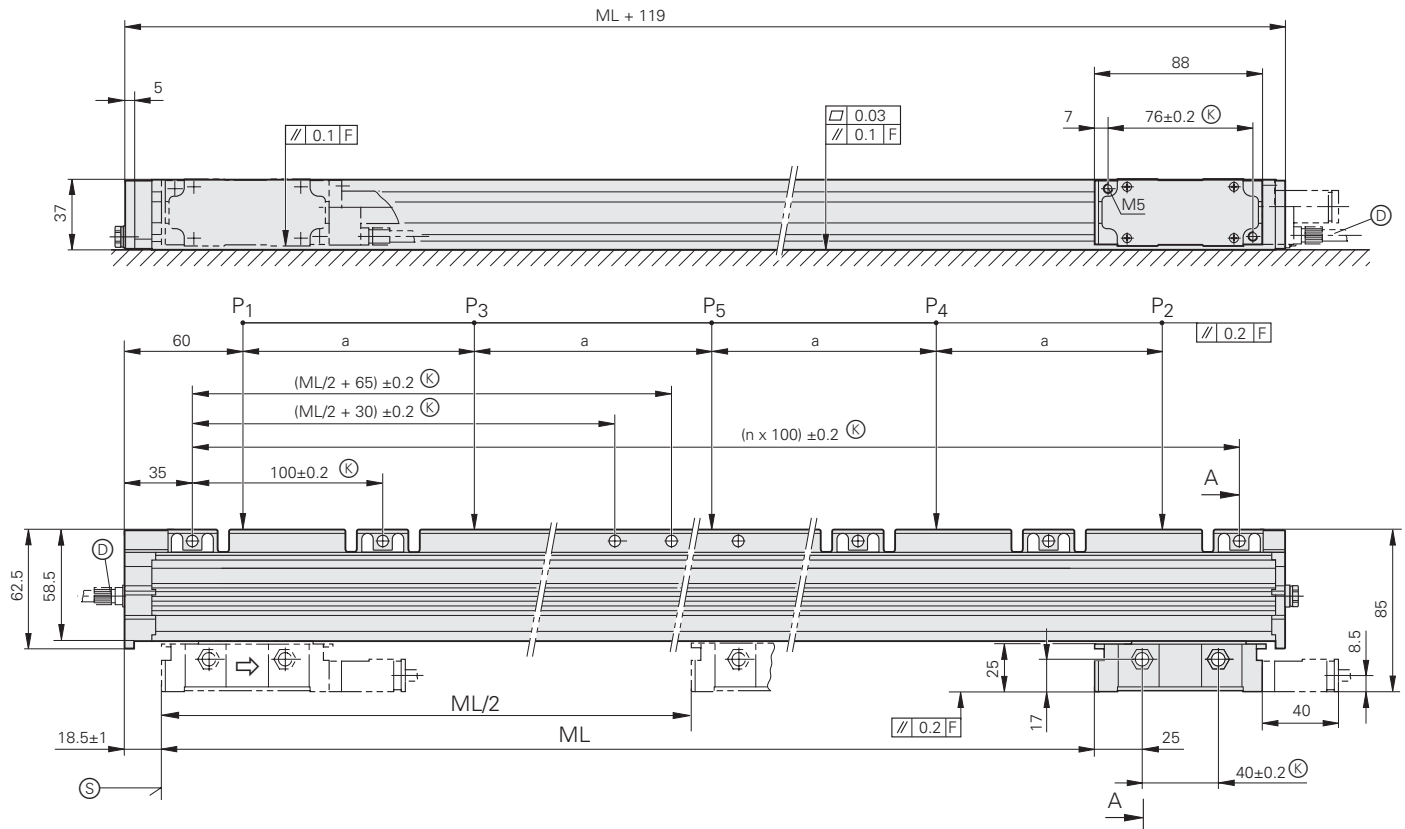
LC 182/LC 192

- Absolute linear encoders
- High positioning accuracy and traversing speed through single-field scanning
- High vibration rating
- Horizontal mounting possible

Dimensions in mm



Tolerancing ISO 8015
ISO 2768 - m H
< 6 mm: ±0.2 mm



- Ⓘ, Ⓚ, Ⓜ = Mounting options
- F = Machine guideway
- P = Gauging points for alignment
- Ⓚ = Required mating dimensions
- Ⓛ = Compressed air inlet










- Ⓜ = Beginning of measuring length (ML)
- Ⓛ = Serrated washer D10.0/6.4 (accessory)
- ⇒ = Direction of scanning unit motion for output signals in accordance with interface description

ML	P _n
≤ 840 mm	P ₁ ...P ₂
≤ 1740 mm	P ₁ ...P ₃
≤ 3040 mm	P ₁ ...P ₄
≤ 4240 mm	P ₁ ...P ₅


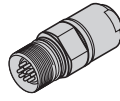
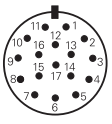

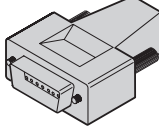
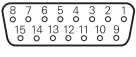


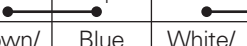
Specifications	LC 182	LC 192F	LC 192M									
Measuring standard Expansion coefficient	DIADUR glass scale with absolute track and incremental track $\alpha_{\text{therm}} \approx 8 \cdot 10^{-6} \text{ K}^{-1}$											
Accuracy grade*	$\pm 3 \mu\text{m}$ (up to measuring length 3040); $\pm 5 \mu\text{m}$											
Measuring length ML* in mm	140 1340 3240	240 1440 3440	340 1540 3640	440 1640 3840	540 1740 4040	640 1840 4240	740 2040	840 2240	940 2440	1040 2640	1140 2840	1240 3040
Absolute position values	EnDat 2.1		Serial interface – Fanuc 01	Mitsubishi high-speed serial interface								
Measuring step	Approx. $0.02 \mu\text{m}^{1)}$		Accuracy $\pm 3 \mu\text{m}$: $0.01 \mu\text{m}$; Accuracy $\pm 5 \mu\text{m}$: $0.05 \mu\text{m}$									
Calculation time t_{cal}	< 1 ms		–									
Incremental signals Grating period/signal period Cutoff frequency –3 dB	$\sim 1 \text{ V}_{\text{PP}}$ 20 μm $\geq 150 \text{ kHz}$		–									
Power supply	5 V $\pm 5 \%$ / < 300 mA without load; remote sensing possible											
Electrical connection Max. cable length	Separate adapter cable (1 m/3 m/6 m/9 m) connectable to mounting block Upon request											
Traversing speed	$\leq 180 \text{ m/min}$											
Required moving force	$\leq 4 \text{ N}$											
Vibration 55 to 2000 Hz Shock 11 ms Acceleration	$\leq 200 \text{ m/s}^2$; starting from measuring length 3240: $\leq 150 \text{ m/s}^2$ (IEC 60 068-2-6) $\leq 300 \text{ m/s}^2$ (IEC 60 068-2-27) $\leq 100 \text{ m/s}^2$ in measuring direction											
Operating temperature	0 to 50 °C											
Protection IEC 60 529	IP 53 when installed correctly; IP 64 with compressed air from DA 300											
Weight	0.4 kg + 3.3 kg/m measuring length											


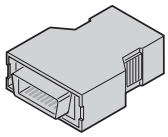
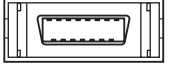

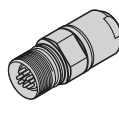
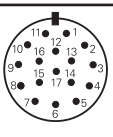


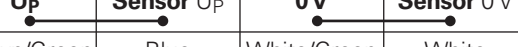
* Please indicate when ordering


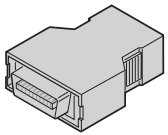


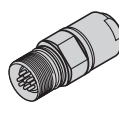
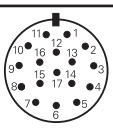



¹⁾ After 1024-fold interpolation of the incremental signals

Connecting elements and cables	LC 182	LC 192F	LC 192M
Adapter cable complete with M23 coupling (male), 17-pin Cable length 1 m/3 m/6 m/9 m Cable diameter 6 mm	Id. Nr. 369 124-xx 	Id. Nr. 343 421-xx 	
Connecting cable complete with M23 connector (female), 17-pin Cable diameter 8 mm	With D-sub connector (female) Id. Nr. 332 115-xx 	With Fanuc connector Id. Nr. 534 855-xx 	With Mitsubishi connector Id. Nr. 344 625-xx 
Connecting cable with one connector with M23 connector (female) Cable diameter 8 mm	Id. Nr. 309 778-xx 	–	
Adapter cable complete Cable diameter 6 mm	With D-sub conn. (female) for HEIDENHAIN controls Id. Nr. 370 737-xx 	With Fanuc connector Id. Nr. 532 571-xx 	With Mitsubishi connector Id. Nr. 368 724-xx 

Electrical Connection

LC 182 17-pin coupling M23   					15-pin D-sub connector, female, for HEIDENHAIN controls and IK 220   								
	Power supply					Incremental signals				Absolute position values			
	7	1	10	4	11	15	16	12	13	14	17	8	9
	1	9	2	11	13	3	4	6	7	5	8	14	15
	U _P	Sensor U _P	0V	Sensor 0V	Inside shield	A+	A-	B+	B-	DATA	DATA	CLOCK	CLOCK
	Brown/Green	Blue	White/Green	White	/	Green/Black	Yellow/Black	Blue/Black	Red/Black	Gray	Pink	Violet	Yellow

LC 192 F 20-pin Fanuc connector   					17-pin coupling M23   				
	Power supply					Absolute position values			
	9	18/20	12	14	16	1	2	5	6
	7	1	10	4	-	14	17	8	9
	U _P	Sensor U _P	0V	Sensor 0V	Shield	Serial Data	Serial Data	Request	Request
	Brown/Green	Blue	White/Green	White	-	Gray	Pink	Violet	Yellow

LC 192 M 20-pin Mitsubishi connector   					17-pin coupling M23   				
	Power supply					Absolute position values			
	20	19	1	11	6	16	7	17	
	7	1	10	4	14	17	8	9	
	U _P	Sensor U _P	0V	Sensor 0V	Serial Data	Serial Data	Request Frame	Request Frame	
	Brown/Green	Blue	White/Green	White	Gray	Pink	Violet	Yellow	

Shield on housing; **U_P** = power supply voltage

Sensor: The sensor line is connected internally with the corresponding power line

Vacant pins or wires must not be used.

HEIDENHAIN

DR. JOHANNES HEIDENHAIN GmbH

Dr.-Johannes-Heidenhain-Straße 5

83301 Traunreut, Germany

☎ +49 (8669) 31-0

FAX +49 (8669) 5061

E-Mail: info@heidenhain.de

www.heidenhain.de

For more information

- Sealed Linear Encoders brochure
- Single-Field Scanning Technical Information