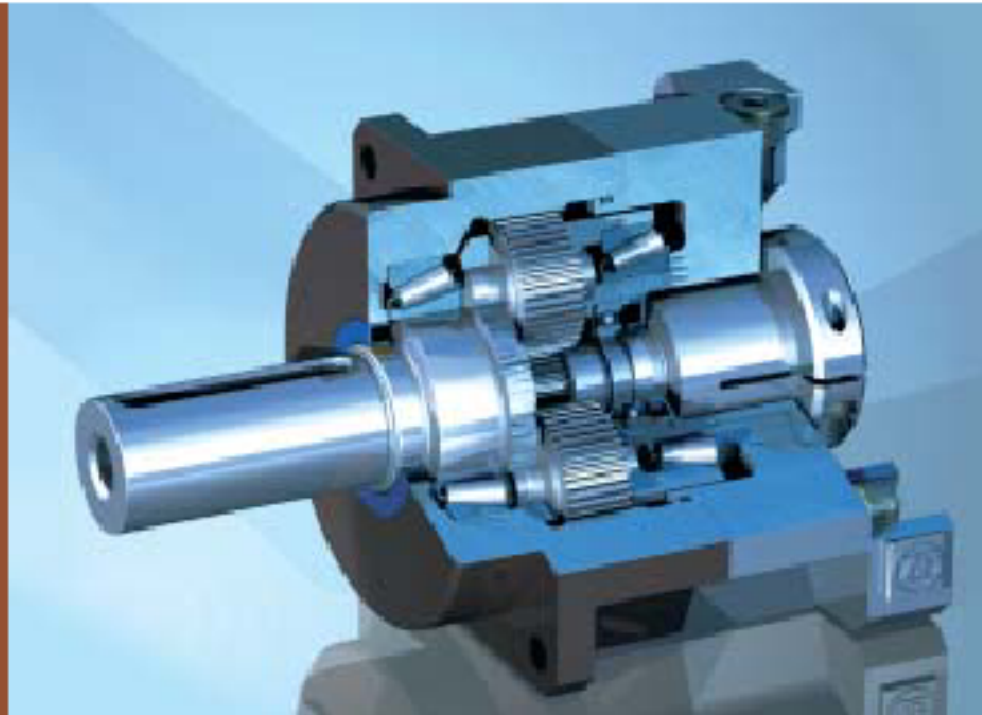


PG Planetary Gearheads Optimise Torque on all Servo Motors, Giving OEM's Greater Flexibility For Highly Dynamic Tasks.

- Output torque from 25 to 3000Nm
- Ratios between 3:1 and 100:1
- Backlash down to ≤ 2 arc minutes
- Speeds to 10,000 rpm
- Typical service life of 20,000+ hours
- Multiple mounting options
- Compatible with all standard servomotors



With all the traditional advantages of a planetary gearbox, ZF's PG gearheads offer low weight, compact design and keep energy losses to a minimum through a combination of high efficiency operation and a low moment of inertia. Also intrinsic to the design is a high degree of torsional rigidity; it is this, coupled with guaranteed low levels of backlash, which make the PG gear units particularly suitable for servo drive systems, requiring exceptional levels of positional accuracy and reliability.

The units provide direct replacements for other brands and provision of lifetime grease lubrication means that operation is completely maintenance-free during its life span. This is true even in adverse environments where the fully enclosed design, with IP65 ingress protection, also contributes to their reliability. Precision ground gears and high quality roller bearings further improve maintenance life and operation, reducing noise levels to the order of ≤ 65 dB and allowing repeated stopping of the gearmotor without detracting from its precision performance.

PG gearheads are backed-up by the resources of one of the most respected manufacturers of driveline technology in the world. ZF Industrial is part of the worldwide ZF Group of companies with production centres, partners and representatives on every continent. In the industrial sector, ZF is at the forefront of developments, from individual units to complete systems solutions for all types of machinery and production units, including those used in robotic systems and the fast growing factory automation sector.



ZF Great Britain Ltd
Abbeyfield Road
Lenton
Nottingham
NG7 2SX

Tel 0115 986 9211
Fax 0115 986 9261

Email: industrial@zf-group.co.uk
Web: www.zf-group.co.uk

For Further Information Contact

Heason Technologies Group Ltd
Tel: +44(0)1403 755800
Fax: +44(0)1403 755810
Email: sales@heason.com

Freephone 0800 374903 www.heason.com

Heason
Technologies Group



ZF Great Britain
Industrial Products