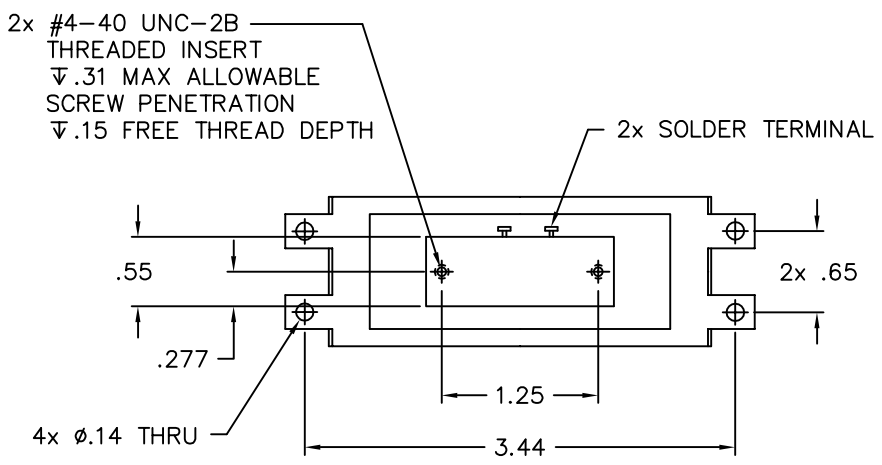
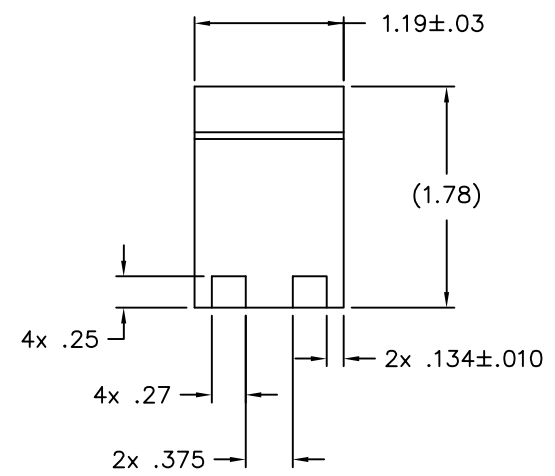
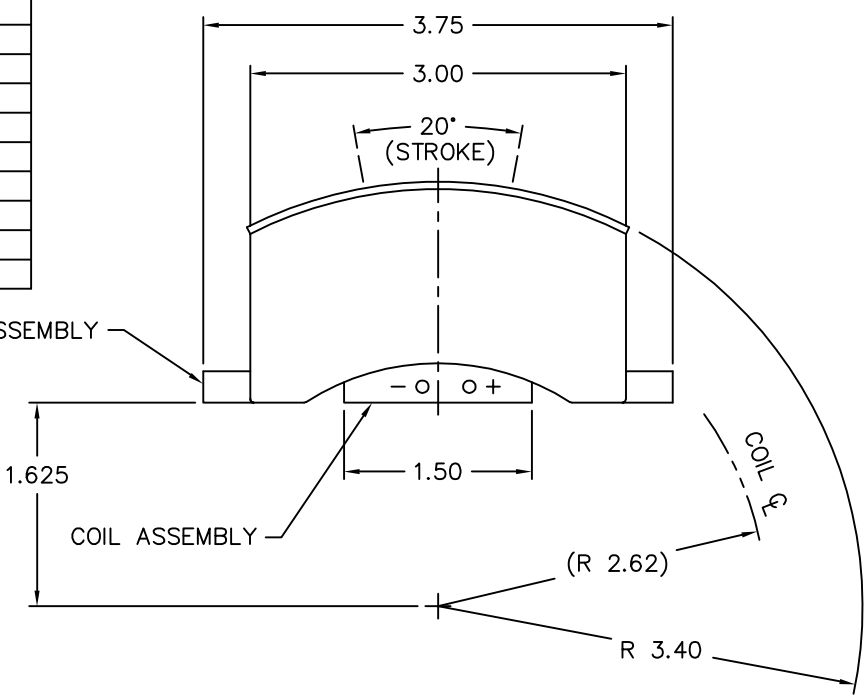
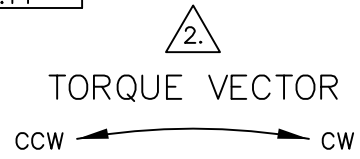


WINDING CONSTANTS *	UNITS	TOL	SYM	WDG A	WDG B
DC RESISTANCE	OHMS	±10%	R	5.0	0.15
VOLTAGE @ T _p	VOLTS	NOMINAL	V _c	17.0	3.0
CURRENT @ T _p	AMPERES	NOMINAL	I _c	3.4	20.0
TORQUE SENSITIVITY (AT MID STROKE)	OZ-IN/AMP	±10%	K _T	50.0	8.5
BACK EMF CONSTANT	VOLTS/RAD/SEC	±10%	K _B	0.35	0.06
INDUCTANCE ****	MICRO-HENRY	±30%	L	4.4	0.14

LTR	ECO NO.	DESCRIPTION	DRN	APP'D	DATE
L	00-0108	ADD "B" WDG	RLE	SH	2/18/00
P	045013	REV LEVEL TO MATCH AVANTE REV LEVEL	SLM	MG	12/13/04

ROTARY ACTUATOR PARAMETERS *	UNITS	SYM	VALUE
PEAK TORQUE **	OZ-IN	T _P	170.0
CONTINUOUS STALL TORQUE ***	OZ-IN	T _{CS}	92
ACTUATOR CONSTANT	OZ-IN/√WATT	K _A	22.4
ELECTRICAL TIME CONSTANT	MICRO-SEC	T _E	880.0
MECHANICAL TIME CONSTANT	MILLI-SEC	T _M	5.5
POWER I ² R @ T _p	WATTS	P _P	57.8
STROKE (ANGULAR)	± DEGREES		10
COIL CLEARANCE	IN		0.02
COIL ASSEMBLY INERTIA	OZ-IN-SEC ²		-
THERMAL RESISTANCE OF COIL	°C/WATT	Q _{th}	5.1
MAX ALLOWABLE TEMP OF COIL	°C	TEMP	155
WEIGHT OF COIL ASSEMBLY	OZ	WT _c	1.1
TOTAL WEIGHT	OZ	WT _t	18.0

* AT MID-STROKE & 25° AMBIENT TEMPERATURE
 ** 10 SECONDS AT 25°C AMBIENT & 155°C COIL TEMPERATURE
 *** 25°C AMBIENT & 155°C WINDING TEMPERATURE
 **** MEASURED AT 1000 Hz



2. A POSITIVE (+) VOLTAGE APPLIED TO THE POSITIVE (+) TERMINAL WILL PRODUCE A TORQUE ON THE COIL ASSEMBLY IN THE CLOCKWISE (CW) DIRECTION, AS VIEWED FROM THE TERMINAL SIDE.

1. INSULATION RESISTANCE IS 100 MEGOHMS MINIMUM AT 500 VDC.

NOTES: UNLESS OTHERWISE SPECIFIED

Proprietary rights of BEI Kimco are involved in the subject matter of this material and all manufacturing, reproduction, use, and sales pertaining to such subject matter are expressly reserved. This confidential and proprietary document is submitted for a specified purpose, and the recipient by accepting this material agrees that this material will not be used, copied, or reproduced in whole or in part nor its contents revealed in any manner or to any person except to meet the purpose for which it was delivered.

THIRD ANGLE PROJECTION

UNLESS OTHERWISE SPECIFIED:
 -ALL DIMENSIONS ARE IN INCHES
 -BREAK SHARP EDGES .015 MAX.
 -SURFACE ROUGHNESS √63
 -DIMENSIONS APPLY AFTER FINISH
 -MAX FILLET R .010

TOLERANCES:
 DECIMALS ANGULAR
 .X ± .03 ±0° 30'
 .XX ± .01
 .XXX ± .005
 DD NOT SCALE DRAWING

BEI KIMCO MAGNETICS DIVISION
 VISTA, CA 92081

DRAWN R. ELLIOTT	DATE 9/9/88	TITLE ROTARY ACTUATOR
MECH CHECK R. GUERRERO	12/13/04	
APPD HA PHAM	9/12/88	
FILE NO. L:\TOP LEVEL\RA\ ...	SIZE C	FSCM NO. 55789
	DWG NO. RA68-12-001(LTR)	REV P
	SCALE 1/1	SHEET 1 OF 1