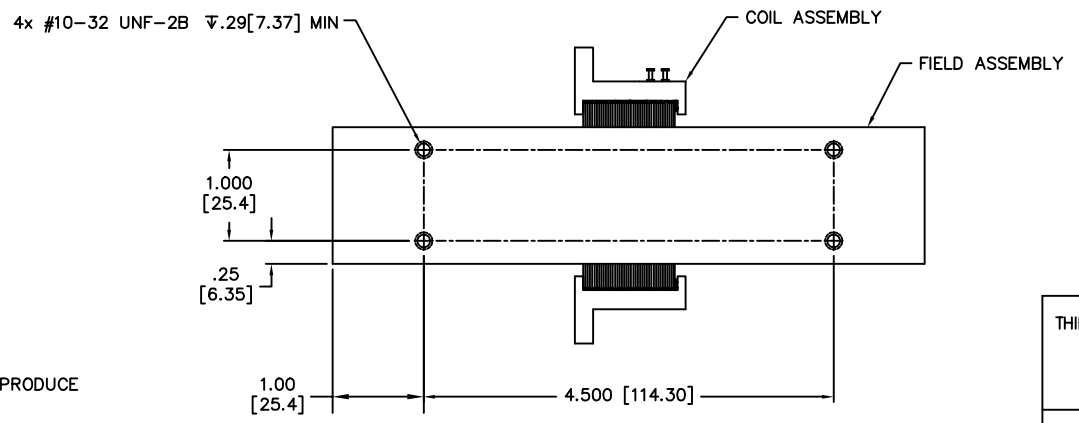
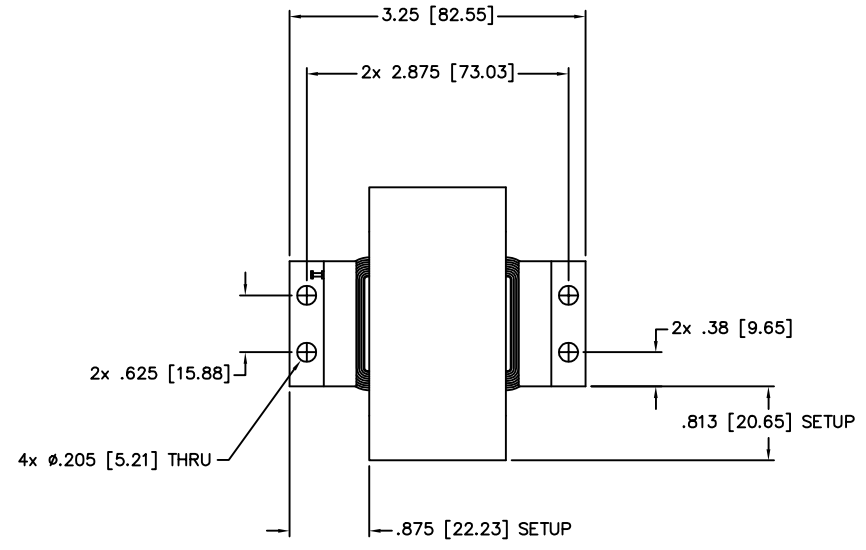
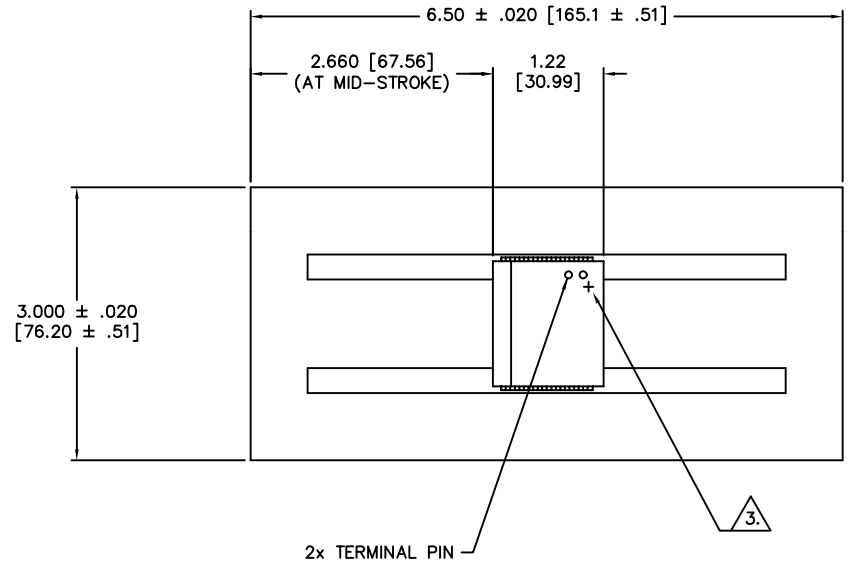
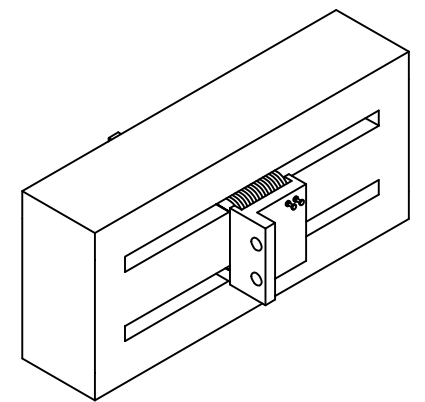
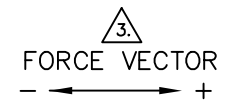
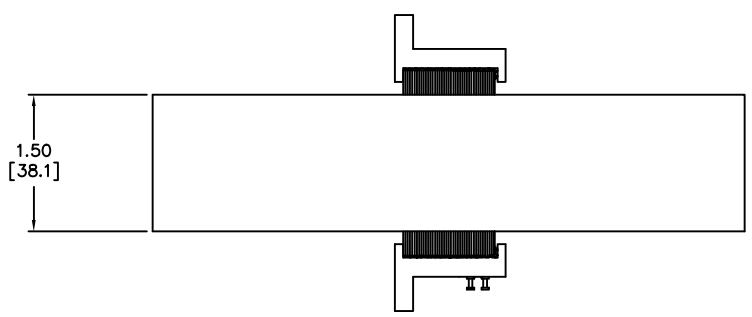


FSCM NO. 55789	DRAWING NO. LA15-65-000A	SHEET 1	REV D			
REVISIONS						
ZONE	REV	DCN NO.	DESCRIPTION	INITIALS	DATE	APPROVED
	B	00-0404	UPDATE TO CURRENT STANDARD	RRG	6/29/00	M.G.
	C	020881	CORRECT FORCE VECTOR	M.JL	8/22/02	M.G.
	D	021197	UPDATE TO DUAL DIM. TITLE BLOCK	M.JL	10/29/02	M.G.

WINDING CONSTANTS	UNITS	TOL	SYMBOL	WDG A
DC RESISTANCE	OHMS	±12.5%	R	5.4
VOLTAGE @ F _P	VOLTS	NOMINAL	V _P	38.6
CURRENT @ F _P	AMPERES	NOMINAL	I _P	7.14
FORCE SENSITIVITY	LB/AMP	±10%	K _F	2.1
	N/AMP	±10%		9.34
BACK EMF CONSTANT	V/FT/SEC	±10%	K _B	2.85
	V/M/SEC	±10%		9.35
INDUCTANCE	MILLI-HENRY	±30%	L	11.2

ACTUATOR PARAMETERS	UNITS	SYMBOL	VALUE
PEAK FORCE *	LB	F _P	15.0
	N		66.7
CONTINUOUS STALL FORCE **	LB	F _{CS}	4.25
	N		18.9
ACTUATOR CONSTANT	LB/√WATT	K _A	0.90
	N/√WATT		4.0
ELECTRICAL TIME CONSTANT	MILLI-SEC	τ _E	2.07
MECHANICAL TIME CONSTANT	MILLI-SEC	τ _M	5.2
POWER I ² R @ F _P	WATTS	P _P	276
STROKE	± INCHES		2.00
	± MM		50.8
CLEARANCE ON EACH SIDE OF COIL	IN		0.015
	MM		.381
THERMAL RESISTANCE OF COIL	°C/WATT	θ _{TH}	3.9
MAX. ALLOWABLE COIL TEMP.	°C	TEMP	155
WEIGHT OF COIL ASSEMBLY	LB	WT _C	0.185
	G		83.9
WEIGHT OF FIELD ASSEMBLY	LB	WT _F	7.2
	KG		3.3

* 10 SECONDS AT 25°C AMBIENT, 155°C COIL TEMP
 ** 25°C AMBIENT & 155°C WINDING TEMPERATURE



3. A POSITIVE (+) VOLTAGE APPLIED TO THE TERMINAL MARKED "+" WILL PRODUCE A FORCE ON THE COIL ASSEMBLY IN THE POSITIVE (+) DIRECTION.

2. DIMENSION IN BRACKETS ARE MILLIMETERS [MM] AND ARE FOR REFERENCE ONLY.
1. INTERPRET DIMENSIONS & TOLERANCES PER ANSI Y14.5M-1982.

NOTES: UNLESS OTHERWISE SPECIFIED

THIRD ANGLE PROJECTION 	UNLESS OTHERWISE SPECIFIED: -ALL DIMENSIONS ARE IN INCHES -DIMENSIONS ARE AFTER FINISH DO NOT SCALE DRAWING	BEI KIMCO MAGNETICS DIVISION SAN MARCOS, CA 92069	
		APPROVALS DRAWN N. FRENCH CHECKED	DATE 2/18/99
THIS DOCUMENT CONTAINS PROPRIETARY INFORMATION AND IS THE PROPERTY OF BEI/KIMCO MAGNETICS DIVISION. IT MAY NOT BE REPRODUCED WITHOUT BEI/KIMCO MAGNETICS DIVISION WRITTEN PERMISSION OR USED FOR OTHER THAN AUTHORIZED PURPOSES.	TOLERANCES: DECIMALS .X ± 0.03 .XX ± 0.01 .XXX ± 0.005	APPROVED M. GODKIN	DATE 2/22/99
	TITLE LINEAR ACTUATOR		SCALE 1/1
FSCM NO. 55789		DRAWING NO. LA15-65-000A	REV D
SHEET 1 OF 1		SHEET 1 OF 1	