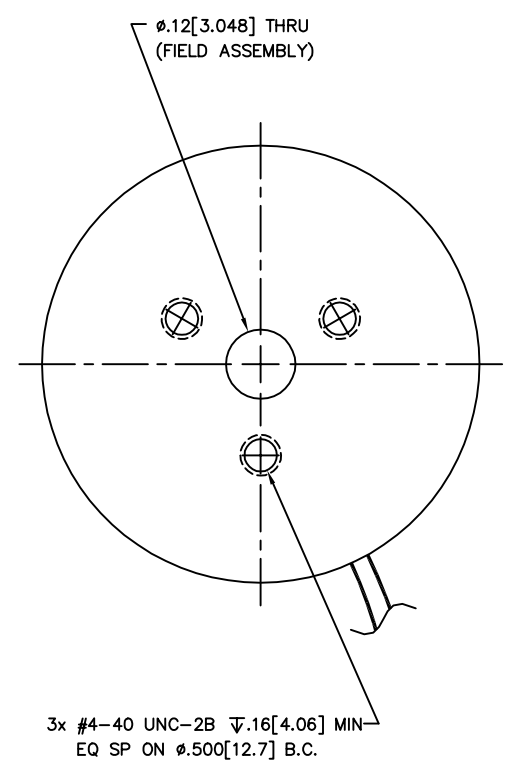
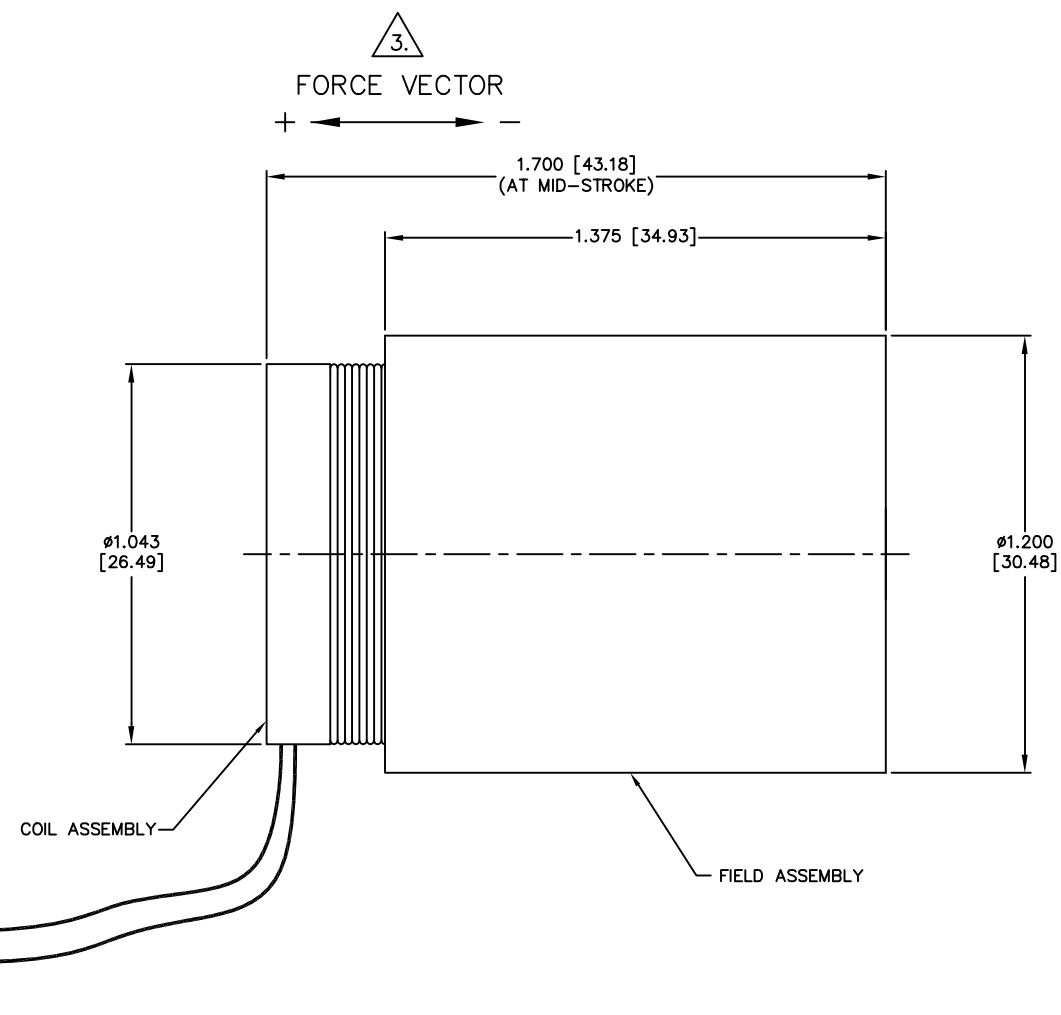
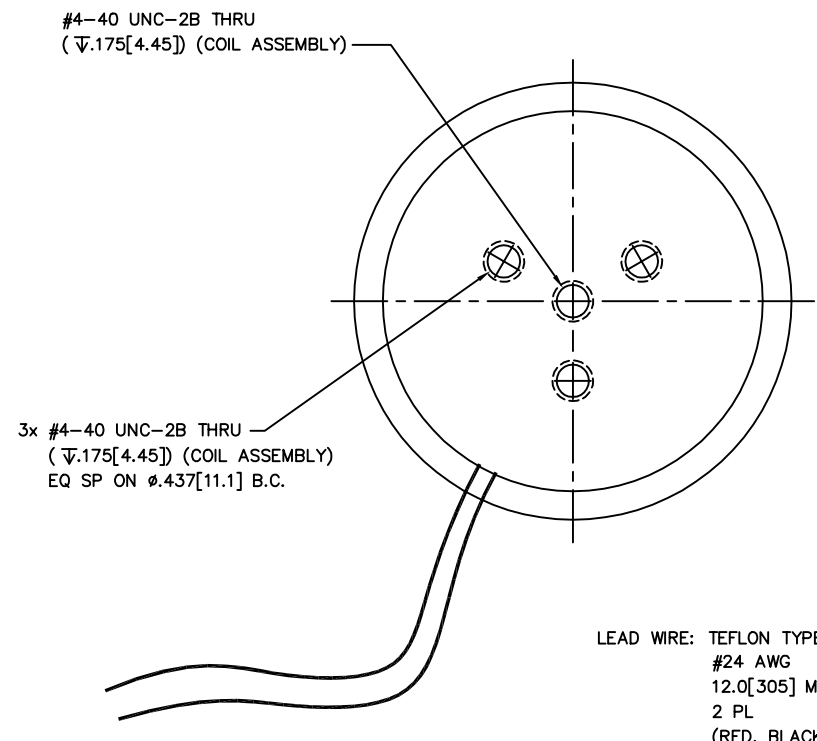
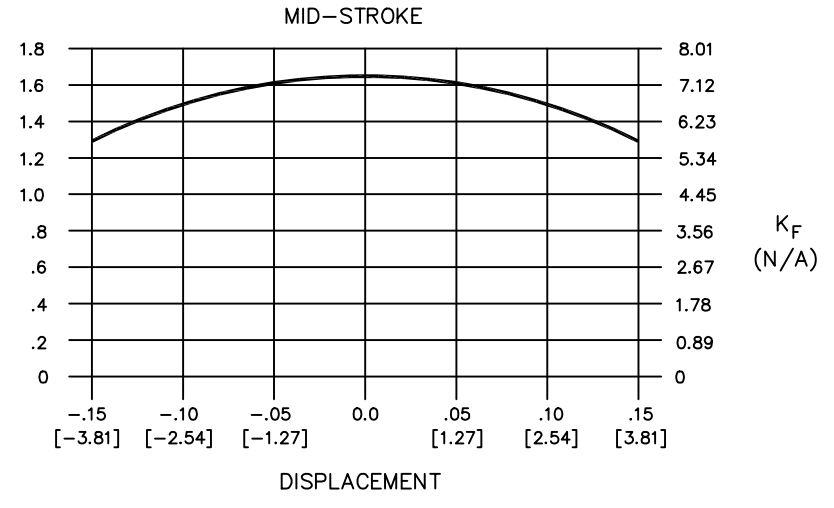


FSM NO. 55789	DRAWING NO. LA12-17-000A	SHEET 1	REV E			
REVISIONS						
ZONE	REV	DOH NO.	DESCRIPTION	INITIALS	DATE	APPROVED
	C	98-0182	UPDATE PARAMETERS	NPF	2/18/98	ACM
	D	021190	UPDATE TO DUAL DIM. TITLE BLOCK	M.JL	10/29/02	M.G.
	E	030258	UPDATE PARAMETERS	M.JL	3/3/03	M.G.

WINDING CONSTANTS *	UNITS	TOL	SYMBOL	WDG A
DC RESISTANCE	OHMS	±12.5%	R	2.8
VOLTAGE \odot F_p	VOLTS	NOMINAL	V_p	17.0
CURRENT \odot F_p	AMPERES	NOMINAL	I_p	6.06
FORCE SENSITIVITY	LB/AMP	±10%	K_F	1.65
	N/AMP	±10%		7.34
BACK EMF CONSTANT	V/FT/SEC	±10%	K_B	2.24
	V/M/SEC	±10%		7.35
INDUCTANCE ****	MICRO-HENRY	±30%	L	350

ACTUATOR PARAMETERS *	UNITS	SYMBOL	VALUE
PEAK FORCE **	LB	F_p	10.0
	N		44.5
CONTINUOUS STALL FORCE ***	LB	F_{CS}	3.5
	N		15.6
ACTUATOR CONSTANT	LB/√WATT	K_A	0.986
	N/√WATT		4.4
ELECTRICAL TIME CONSTANT	MICRO-SEC	τ_E	125
MECHANICAL TIME CONSTANT	MILLI-SEC	τ_M	1.7
POWER I^2R \odot F_p	WATTS	P_p	102.8
	± INCHES		0.150
STROKE	± MM		3.81
	IN		0.015
CLEARANCE ON EACH SIDE OF COIL	MM		0.38
	IN		
THERMAL RESISTANCE OF COIL	°C/WATT	θ_{TH}	7.0
MAX. ALLOWABLE COIL TEMP.	°C	TEMP	155
WEIGHT OF COIL ASSEMBLY	OZ	WT_c	1.15
	G		32.6
WEIGHT OF FIELD ASSEMBLY	OZ	WT_f	4.7
	G		133

* 25°C AMBIENT TEMPERATURE
 ** 10 SECONDS AT 25°C AMBIENT & 155°C COIL TEMP
 *** 25°C AMBIENT & 155°C WINDING TEMPERATURE
 **** MEASURED WITH SENCORE LC102 Z-ANALYZER



- OVERTRAVEL IN THE NEGATIVE (-) DIRECTION IS .004 [.102] MINIMUM.
 - A POSITIVE (+) VOLTAGE APPLIED TO THE RED LEAD WILL PRODUCE A FORCE ON THE COIL ASSEMBLY IN THE POSITIVE (+) DIRECTION.
 - DIMENSION IN BRACKETS ARE MILLIMETERS [MM] AND ARE FOR REFERENCE ONLY.
 - INTERPRET DIMENSIONS & TOLERANCES PER ANSI Y14.5M-1982.
- NOTES: UNLESS OTHERWISE SPECIFIED

THIRD ANGLE PROJECTION	UNLESS OTHERWISE SPECIFIED: -ALL DIMENSIONS ARE IN INCHES -DIMENSIONS ARE AFTER FINISH DO NOT SCALE DRAWING	BEI KIMCO MAGNETICS DIVISION SAN MARCOS, CA 92069							
	THIS DOCUMENT CONTAINS PROPRIETARY INFORMATION AND IS THE PROPERTY OF BEI/KIMCO MAGNETICS DIVISION. IT MAY NOT BE REPRODUCED WITHOUT BEI/KIMCO MAGNETICS DIVISION WRITTEN PERMISSION OR USED FOR OTHER THAN AUTHORIZED PURPOSES.	TOLERANCES: DECIMALS .X ± 0.03 .XX ± 0.01 .XXX ± 0.005 ANGULAR ± 0°30'	<table border="1"> <tr> <th>APPROVALS</th> <th>DATE</th> <th>TITLE</th> </tr> <tr> <td> DRAWN S. MCGHEE CHECKED APPROVED A. MORCOS </td> <td>10/27/94</td> <td>LINEAR ACTUATOR</td> </tr> </table>	APPROVALS	DATE	TITLE	DRAWN S. MCGHEE CHECKED APPROVED A. MORCOS	10/27/94	LINEAR ACTUATOR
APPROVALS	DATE	TITLE							
DRAWN S. MCGHEE CHECKED APPROVED A. MORCOS	10/27/94	LINEAR ACTUATOR							
<table border="1"> <tr> <td>SCALE 4/1</td> <td> SHEET 1 OF 1 </td> </tr> </table>	SCALE 4/1	SHEET 1 OF 1	<table border="1"> <tr> <td>SIZE D</td> <td>FSM NO. 55789</td> <td>DRAWING NO. LA12-17-000A</td> <td>REV E</td> </tr> </table>		SIZE D	FSM NO. 55789	DRAWING NO. LA12-17-000A	REV E	
SCALE 4/1	SHEET 1 OF 1								
SIZE D	FSM NO. 55789	DRAWING NO. LA12-17-000A	REV E						