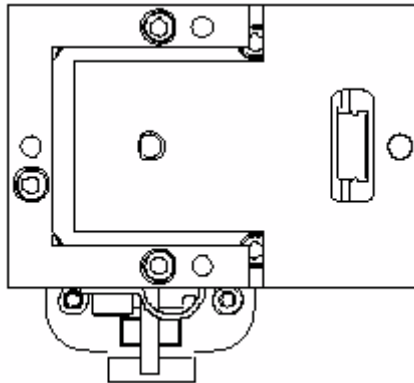


**Micro-Z Stage**

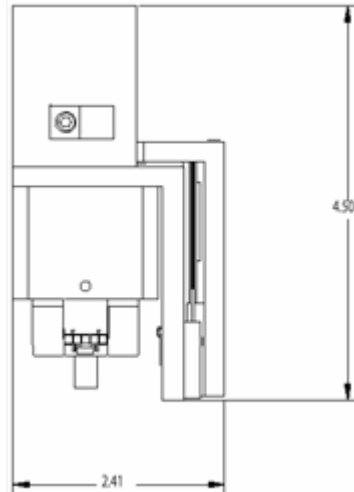


**Product Dimensions**

**Dimensions - Top View**

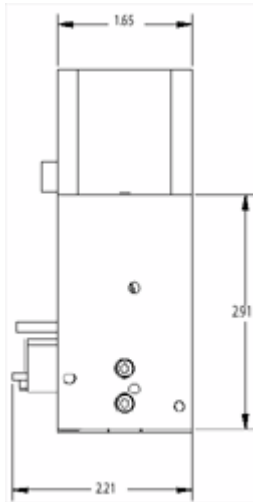


**Dimensions - Side View**

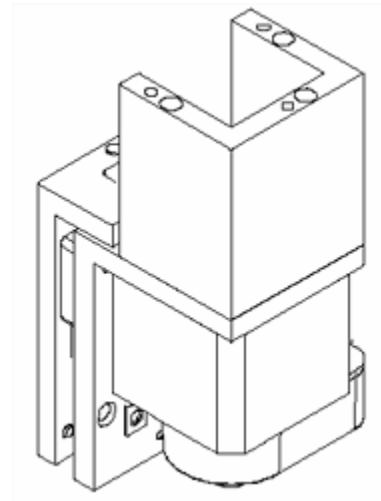


## Micro-Z Stage

Dimensions - End View



Dimensions - Perspective



## Specifications

Travel (inches)	Up to 3 inches of travel
Maximum Force (lbs)*	20
Maximum Speed (in/sec)*	14
Input Inertia (oz-in-sec <sup>2</sup> )	0.00081
Moving Mass (lbs)	~ 0.3 - 0.5 depending on travel
Screw Diameter (in)	.25
Leadscrew Options (in)	0.025, 0.03125, 0.05, 0.125, 0.2, 0.25
Encoder Options (cpr)	100, 200, 400, 500

\*Maximum Force & Speed are dependent on leadscrew option selected

For Further Information Contact ....

Heason Technologies Group Ltd

Tel: +44(0)1403 755800

Fax: +44(0)1403 755810

Email: sales@heason.com

Freephone 0800 374903 [www.heason.com](http://www.heason.com)

