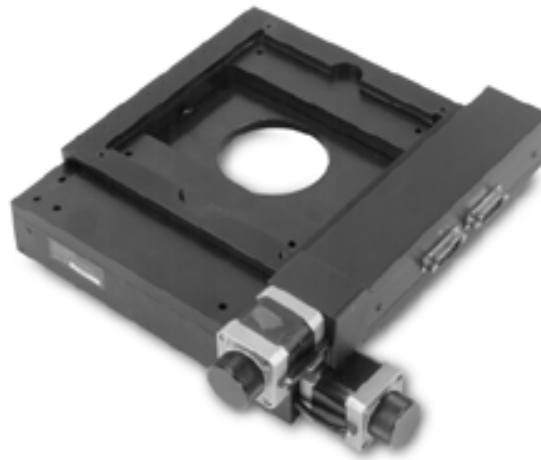


XYMR™ Microscope Stage

Features

- Super-thin cross section
- 3" diameter clear aperture for transmissive applications (solid top also available)
- Precision crossed-roller ways
- 6"x 6" travel
- High repeatability friction nuts



Microscope Stage

The Microscope Stage brings automated, highly accurate X-Y positioning to a wide range of microscope-based applications including wafer, mask, and die inspection; cell counting and analysis; video profilometry; etc. The Microscope Stage utilizes crossed roller ways and precision ground leadscrews with anti-backlash nuts, resulting in exceptional flatness, straightness, and linear positioning accuracy. This stage features the three-piece construction found in our XY and XYR Series, which machines orthogonality into the center section;

resulting in an extremely low profile. The stage body is only 1.2" thick, which, together with the large 3.00" clear aperture, permits the microscope stage to be used with closely spaced, high numerical aperture objectives and condensers. This stage is also available with a solid top. Locking DA-15 connectors for both axes are mounted to the same section, simplifying cabling. Note that since both motors are mounted to the center section, they both move when the lower axis moves.

| SPECIFICATIONS | | XYMR-8080 | | | | |
|---------------------------------------|--|------------|-----|--|--|--|
| Travel (inches) | | 6 x 6 | | | | |
| Leadscrew Accuracy, per axis (µm) | | 30 | | | | |
| Bidirectional Repeatability (µm) | | 1 | | | | |
| Flatness & Straightness per axis (µm) | | 10 | | | | |
| Orthogonality (arc-seconds) | | 30 | | | | |
| Pitch & Yaw (arc-seconds) | | 40 | | | | |
| Load Capacity (kg) ¹ | | 10 | | | | |
| Maximum Leadscrew Speed (rps) | | 15 | | | | |
| Moving Mass (kg) | | Upper Axis | 1.1 | | | |
| | | Lower Axis | 3.9 | | | |
| Total Mass (kg) | | 5.0 | | | | |

| CONFIGURATIONS ² | | | | | | |
|-----------------------------|-----------------|---------------|-----------|------------------|------|------|
| Leadscrew | Lead (inch) | 0.50 | 0.40 | 0.20 | 0.10 | 0.02 |
| | Lead (mm) | 3 | 2 | 1.4 | | |
| Motor | Stepper (oz-in) | 400 step/rev. | 23 | others available | | |
| | | 200 step/rev. | 44 | others available | | |
| | Servo | | brush | brushless | | |

| OPTIONS | | |
|----------------------|----------------------|--------------|
| Encoder Solid Top | Rotary (counts/rev.) | 2000 4000 |

¹Please contact our Applications Engineers for loads exceeding 5kg.

²Standard configuration is highlighted.

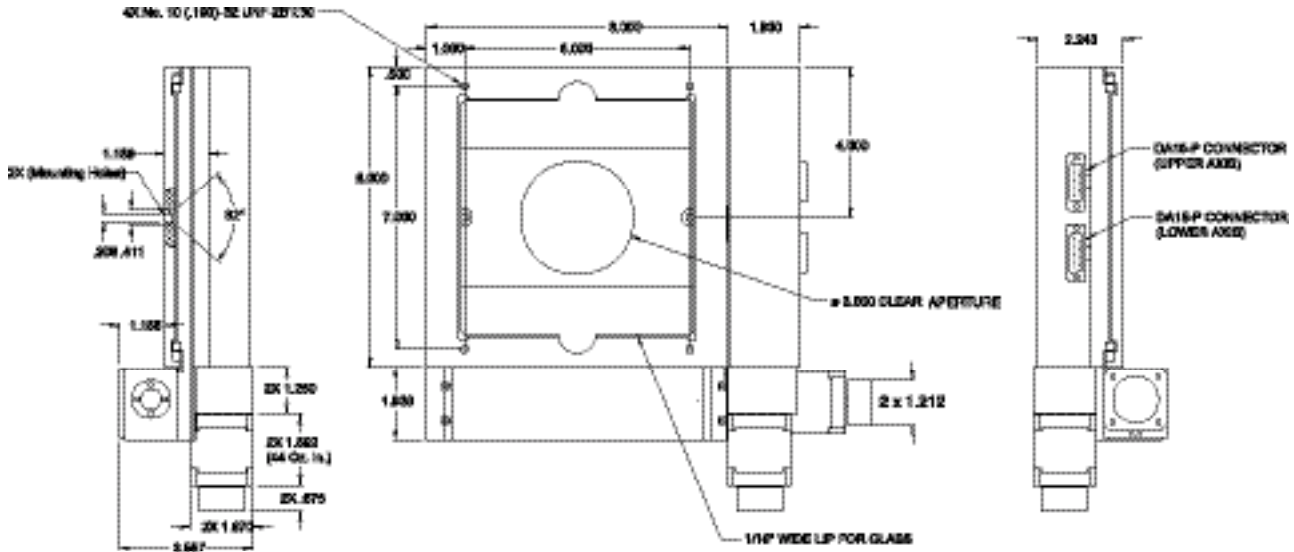
XYMR™ Microscope Stage

X-Y TABLES

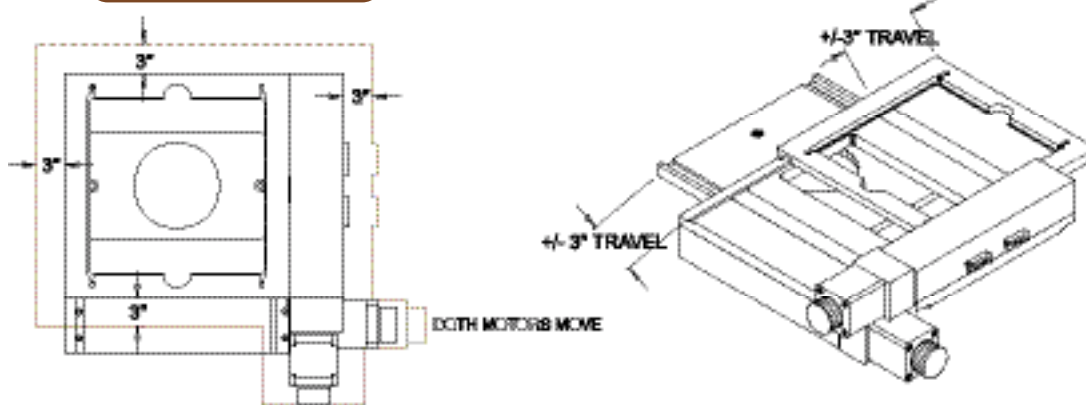
Left Side View

Top View

Right Side View



Moving Envelope



Third Angle Projection
Note: All Dimensions in Inches

For Further Information Contact

Heason Technologies Group Ltd

Tel: +44(0)1403 755800

Fax: +44(0)1403 755810

Email: sales@heason.com

Freephone 0800 374903 www.heason.com

Heason
Technologies Group

