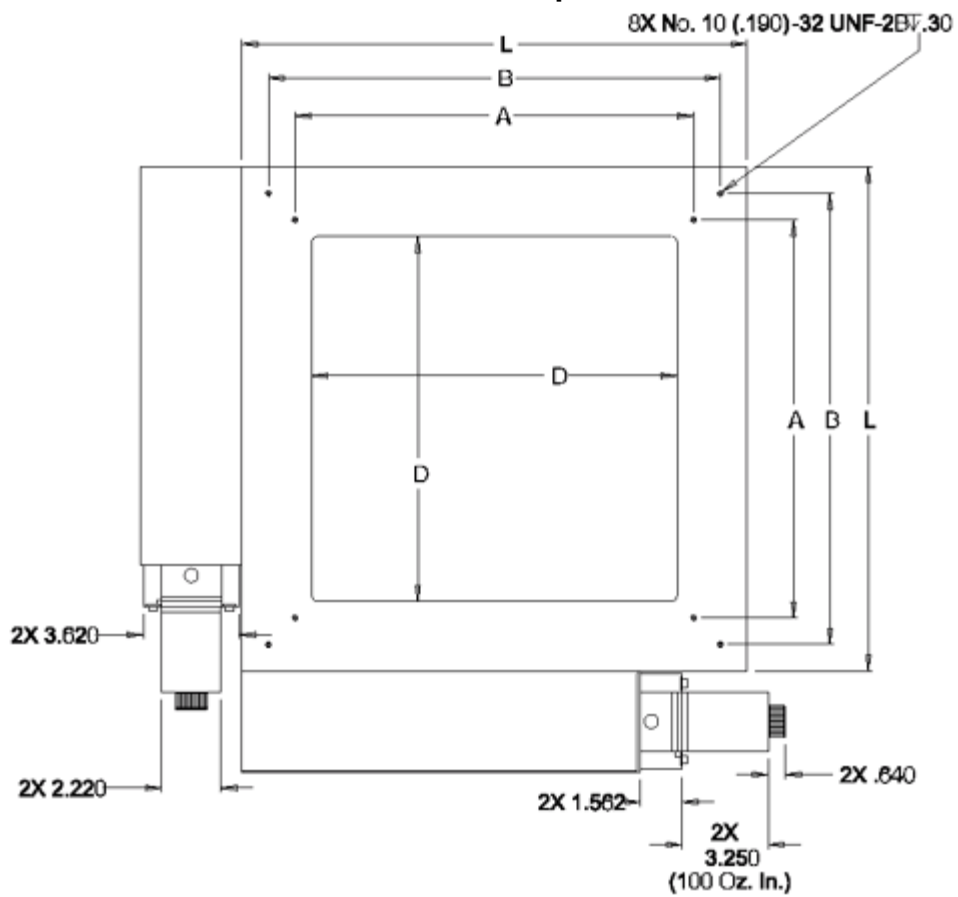


OFL-2727™ Open Frame Table



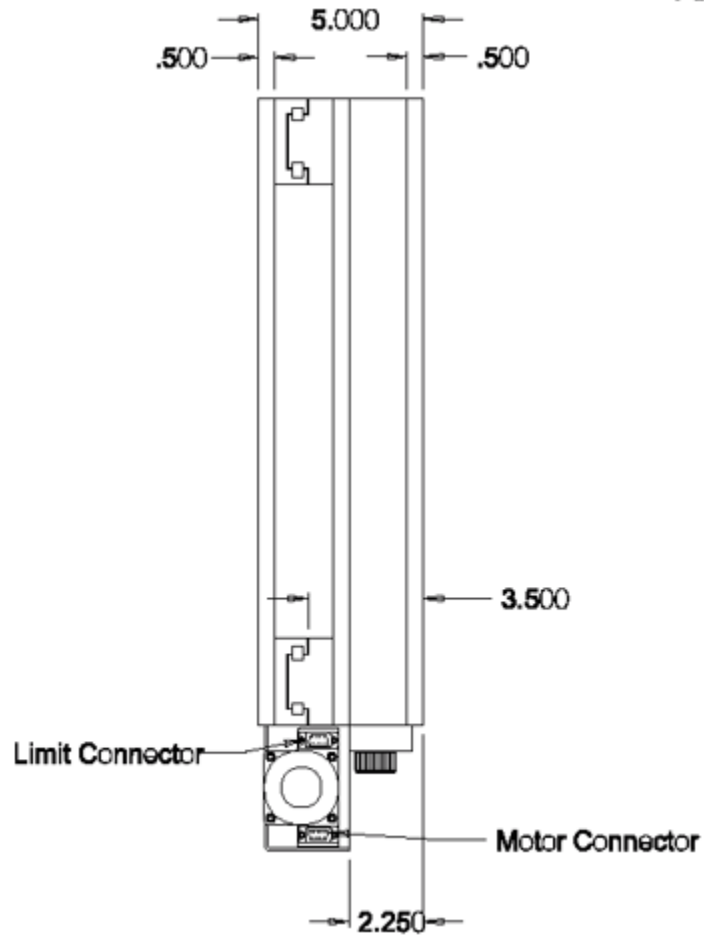
Product Dimensions

Dimensions - Top View



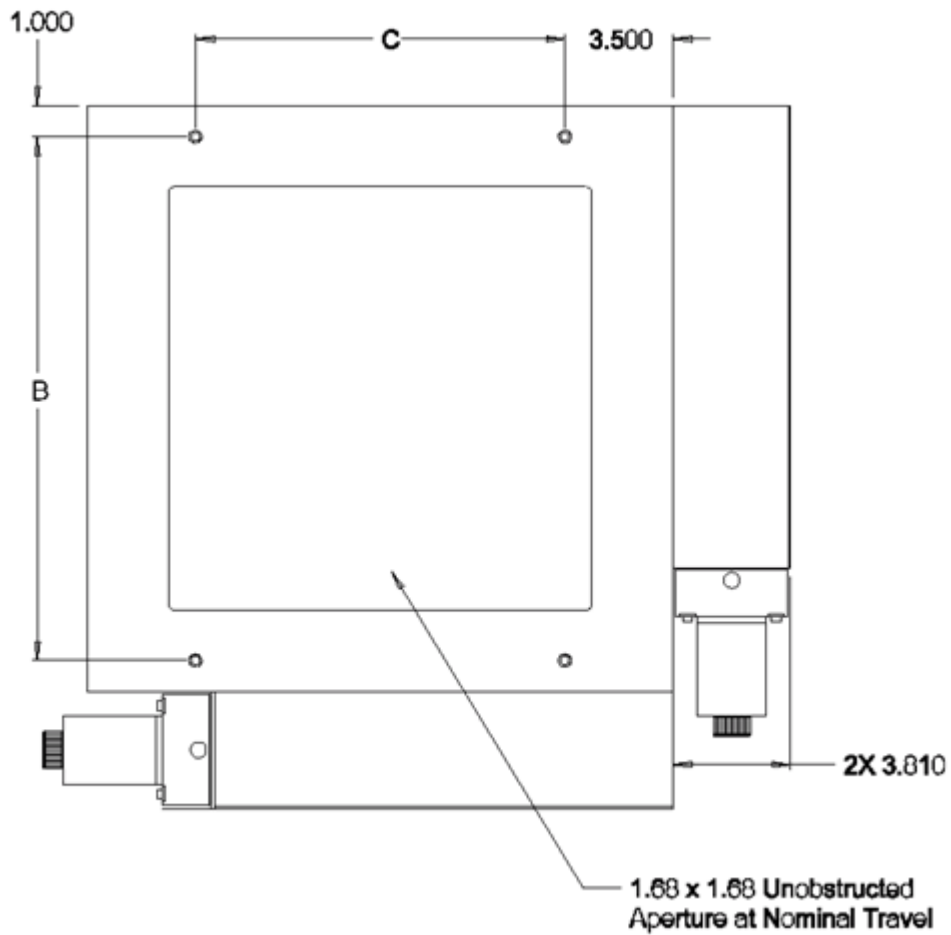
OFL-2727™ Open Frame Table

Dimensions - Side View



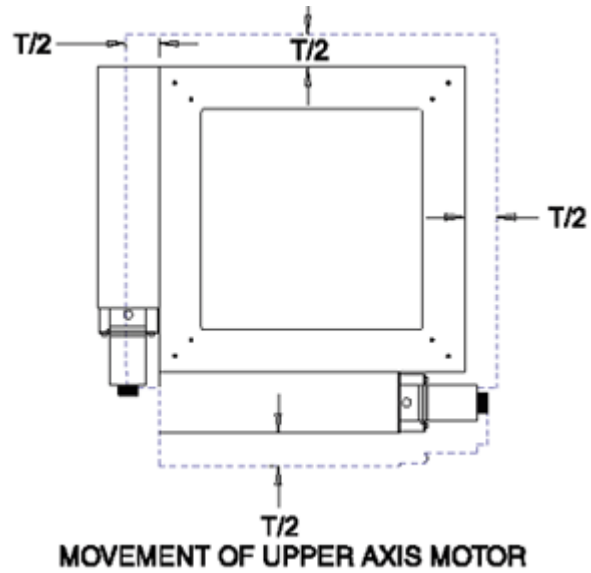
OFL-2727™ Open Frame Table

Dimensions - Bottom View

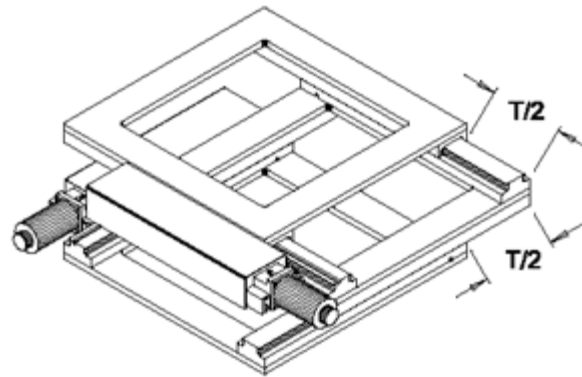


OFL-2727™ Open Frame Table

Dimensions - Moving Envelope



Dimensions - Perspective



Travel (T)	Length (L)	A	B	C	D
20.00	27.00	23.000	25.000	20.000	21.750

OFL-2727™ Open Frame Table

Specifications

Travel (inches)	20 x 20
Leadscrew Accuracy (per axis) (µm)	200
Bidirectional Repeatability (µm)	6
Flatness & Straightness (per axis)(µm)	70
Orthogonality (arc-seconds)	50
Load Capacity (kg) ¹	90
Maximum Leadscrew Speed (rps)	15
Moving Mass (kg)	Upper Axis 9.1 Lower Axis 34.0
Total Mass (kg)	48.5

Configurations²

Leadscrew	Lead (inch)	Precision	0.50, 0.40, 0.20, 0.10
	Lead (mm)	Precision	2
Motor	Stepper (oz-in)	400 step/rev	118, others available
		200 step/rev	100, others available
	Servo		brush, brushless

Options

Encoder	Rotary (counts/rev.)	2000, 4000
	Linear (µm/count)	5, 1, 0.5, 0.1

¹ Please contact our Applications Engineers for loads exceeding 25kg.

² Standard configuration is highlighted.