

For Further Information Contact ....

Heason Technologies Group Ltd

Tel: +44(0)1403 755800

Fax: +44(0)1403 755810

Email: sales@heason.com

Freephone 0800 374903 www.heason.com

**Heason**  
Technologies Group

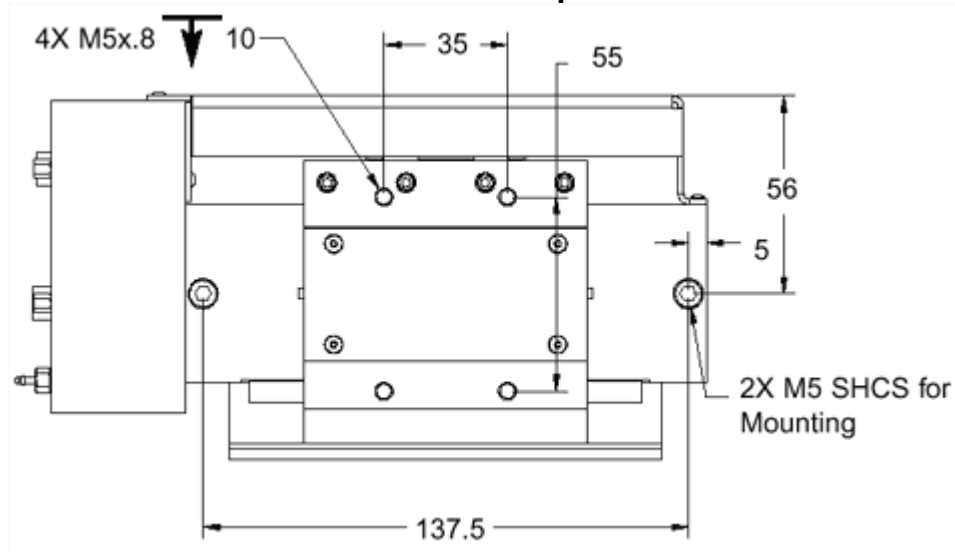
**DANAHER**  
MOTION

## Microbeam™ Low Profile Shuttle Stage MB-40

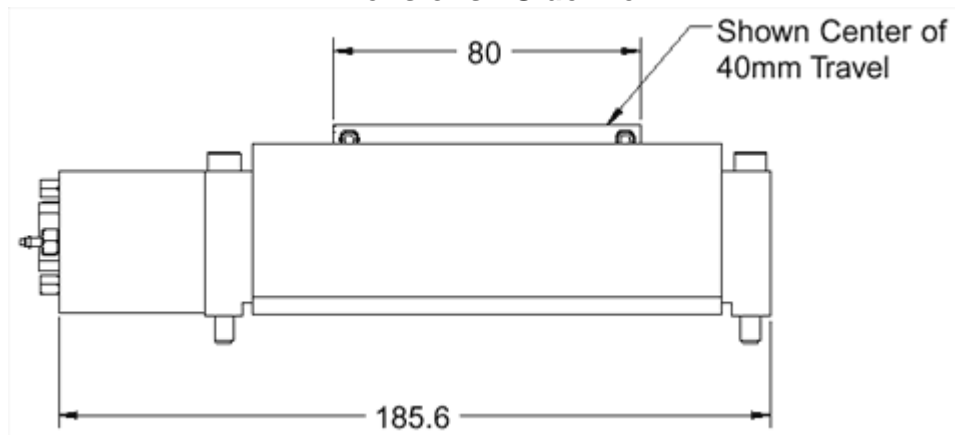


### Product Dimensions

#### Dimensions - Top View

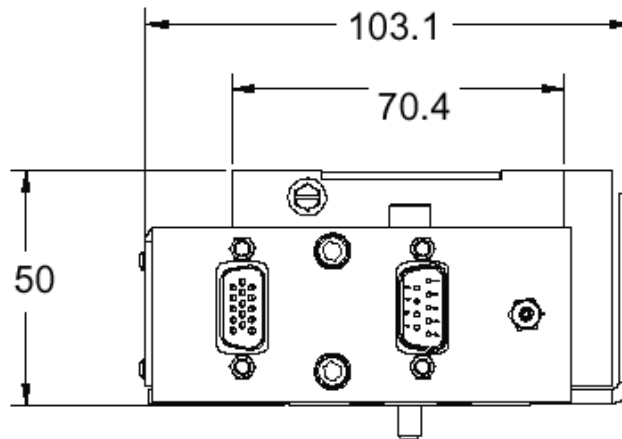


#### Dimensions - Side View



## Microbeam™ Low Profile Shuttle Stage MB-40

Dimensions - End View



### Specifications

Travel (mm)	40
Overall Height (mm)	50
Accuracy ( $\mu\text{m}$ )	3
Resolution	0.05, 0.1, 0.5, 1.0 ( $\mu\text{m}$ )
Repeatability	$\pm 1$ count
Maximum Acceleration (G)	2
Load Capacity (kg)	6
Moving Mass (kg)	0.4
Total Mass	3.2
Motor	Single Phase Brush
Fundamental Motor Constant (N-m/&radic;Watt)	1.4
Motor Force Constant (N/A)	5.2
Back-emf Constant (V/m/s)	5.2
Coil Resistance (Ohms)	5.7
Coil Inductance (mH)	0.0
Continuous Current (Amps)	1.5
Peak Current (Amps)	4.5
Continuous Force (N)	7.9
Peak Force (N)	23
Continuous Power Rating (Watts)	13.5
Thermal Resistance ( $^{\circ}\text{C/W}$ )	5.8
Pitch & Yaw (arc seconds)	2
Straightness & Flatness ( $\mu\text{m}$ )	0.25