

For Further Information Contact

Heason Technologies Group Ltd

Tel: +44(0)1403 755800

Fax: +44(0)1403 755810

Email: sales@heason.com

Freephone 0800 374903 www.heason.com

Heason
Technologies Group

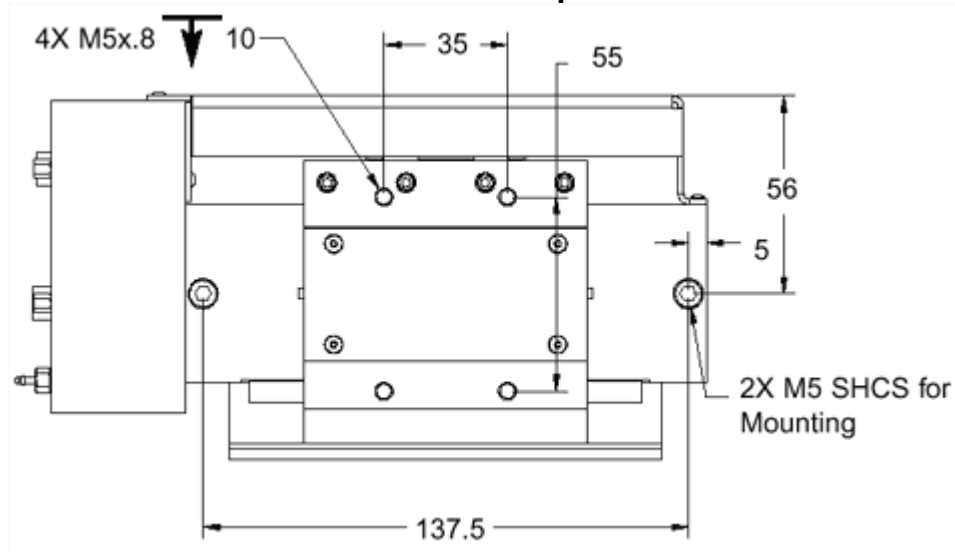
DANAHER
MOTION

MicroBeam™ Low Profile Shuttle Stage MB-100

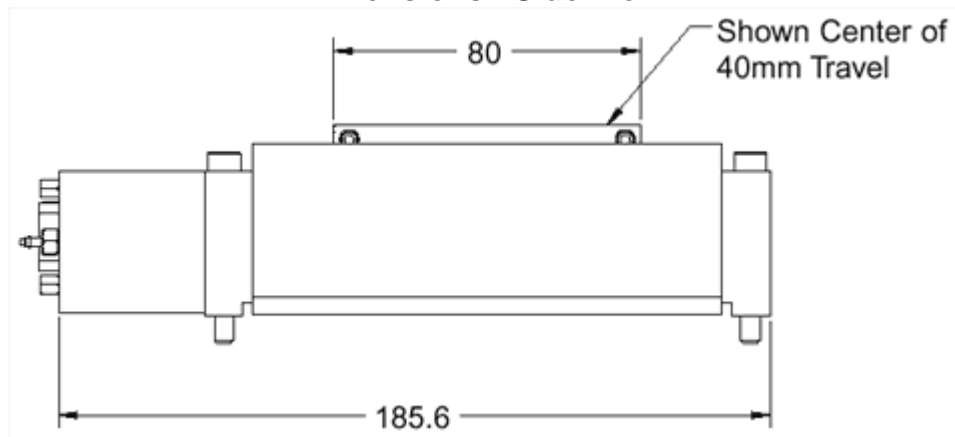


Product Dimensions

Dimensions - Top View

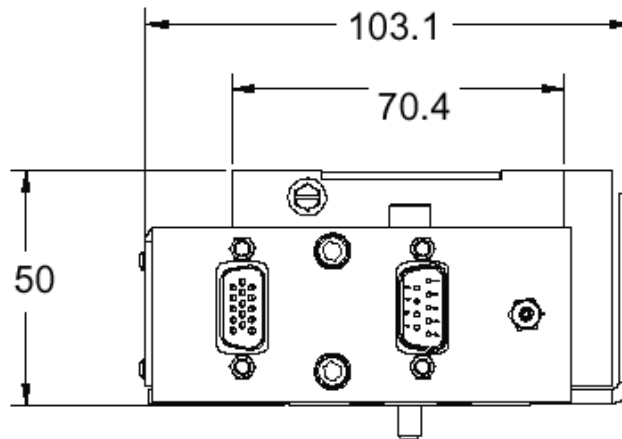


Dimensions - Side View



MicroBeam™ Low Profile Shuttle Stage MB-100

Dimensions - End View



Specifications

Travel (mm)	100
Overall Height (mm)	50
Accuracy (µm)	4
Resolution	0.05, 0.1, 0.5, 1.0 (µm)
Repeatability	±1 count
Maximum Acceleration (G)	2
Load Capacity (kg)	9
Moving Mass (kg)	0.6
Total Mass	5
Motor	3 Phase Brushless
Fundamental Motor Constant (N-m/√Watt)	1.73
Motor Force Constant (N/A)	5.5
Back-emf Constant (V/m/s)	5.5
Coil Resistance (Ohms)	4.8
Coil Inductance (mH)	1.25
Continuous Current (Amps)	2.5
Peak Current (Amps)	7
Continuous Force (N)	9
Peak Force (N)	25
Continuous Power Rating (Watts)	20
Thermal Resistance (° C/W)	4
Pitch & Yaw (arc seconds)	3